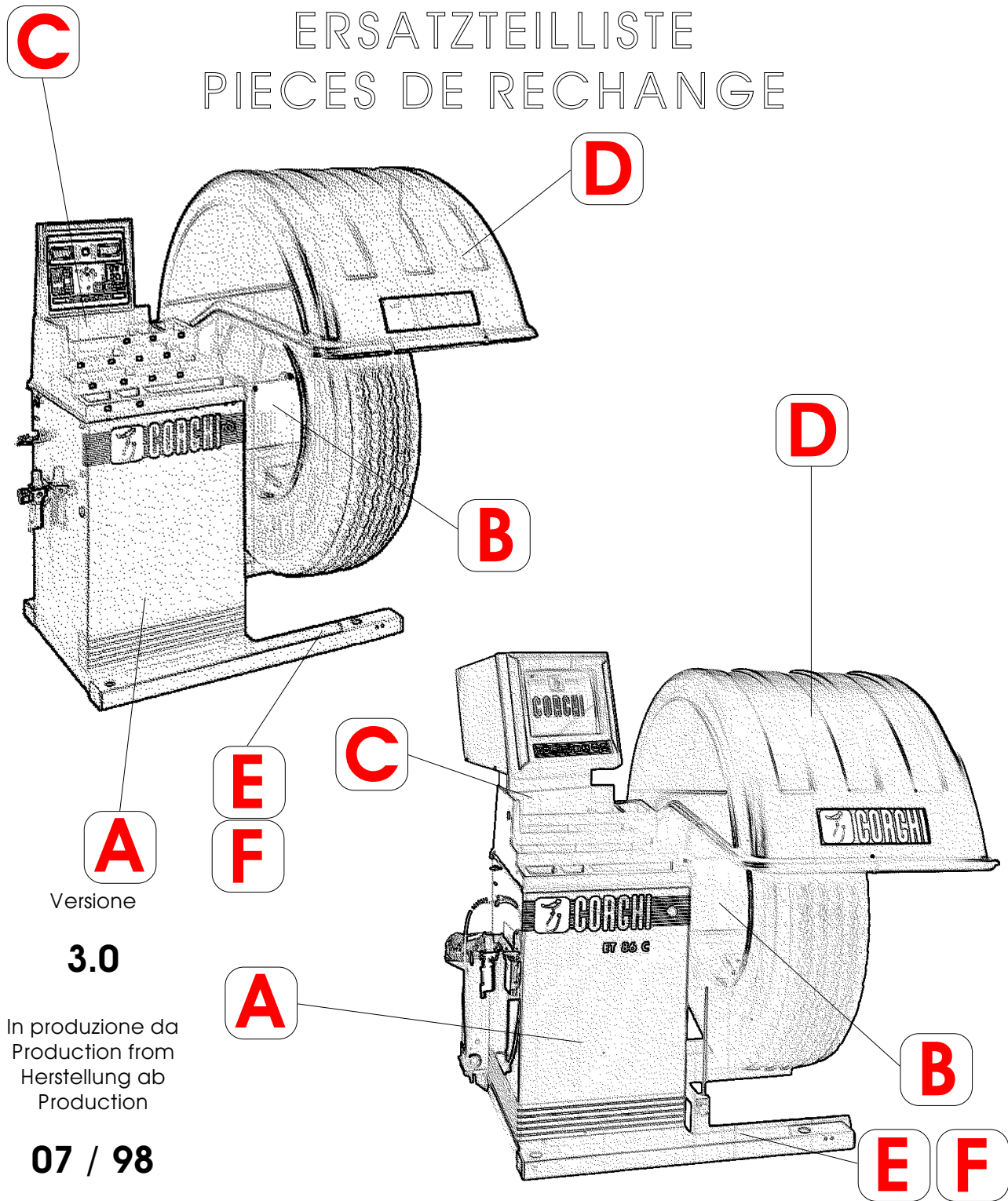


Questo libretto non autorizza l'utente ad intervenire sulle macchine ad esclusione di quanto esplicitamente descritto nel Manuale d'uso, ma consente all'utente di fornire informazioni precise all'Assistenza tecnica, al fine di ridurre i tempi di intervento.

ET 76 ET 86 C

The "Spare parts" booklet does not authorize the user to carry out work on the machine unless expressly specified in the instruction manual, but does enable him to provide accurate information to the assistance service in order to reduce downtime.

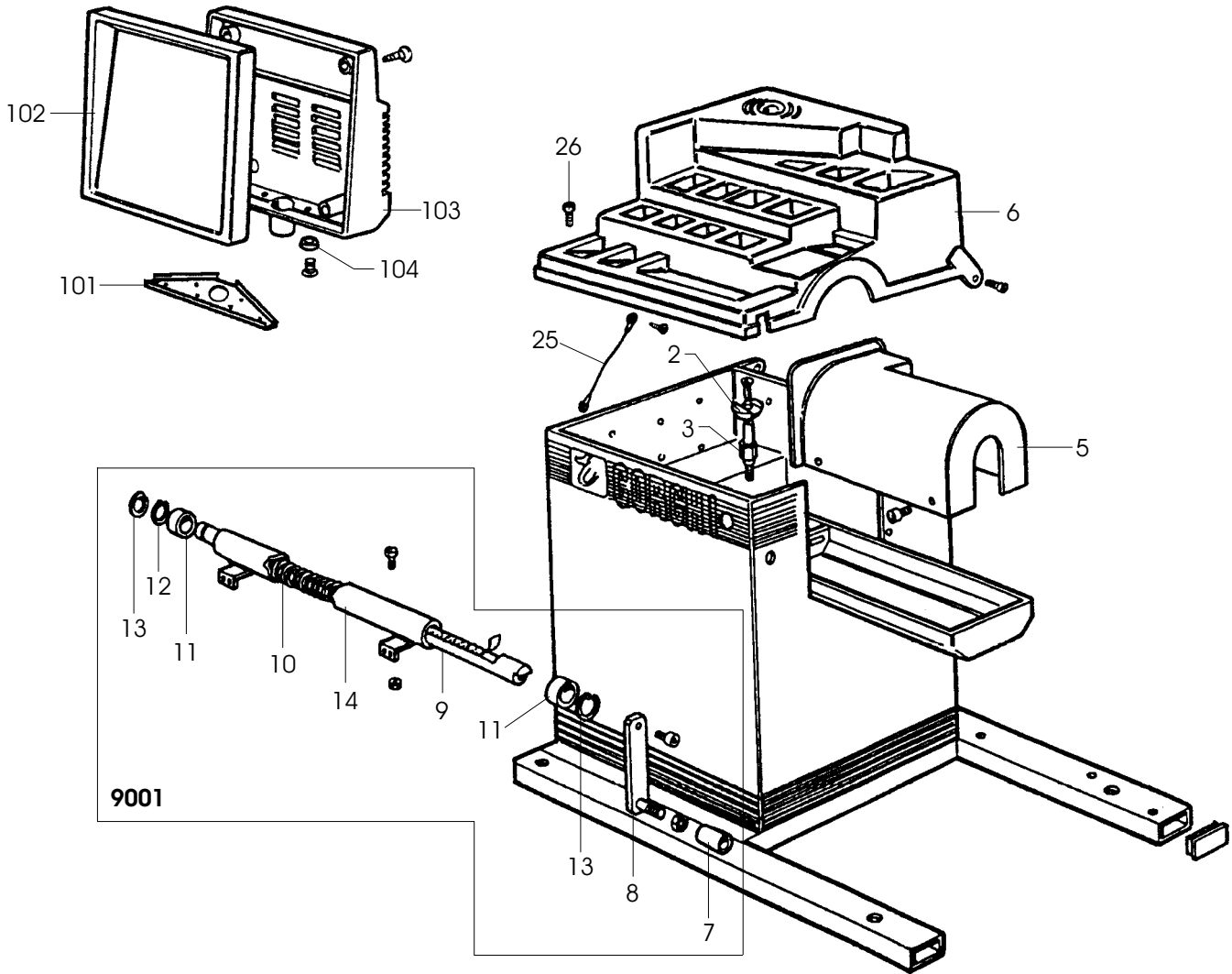
PEZZI DI RICAMBIO SPARE PARTS LIST ERSATZTEILLISTE PIECES DE RECHANGE



Der Katalog Ersatzteile stellt keine Genehmigung zu eigenmächtigen Eingriffen dar (mit Ausnahme jener im Handbuch beschriebenen), sondern er soll den Anwender in die Lage versetzen, dem technischen Service präzise Informationen zu liefern, um die Reparaturzeiten zu verkürzen.



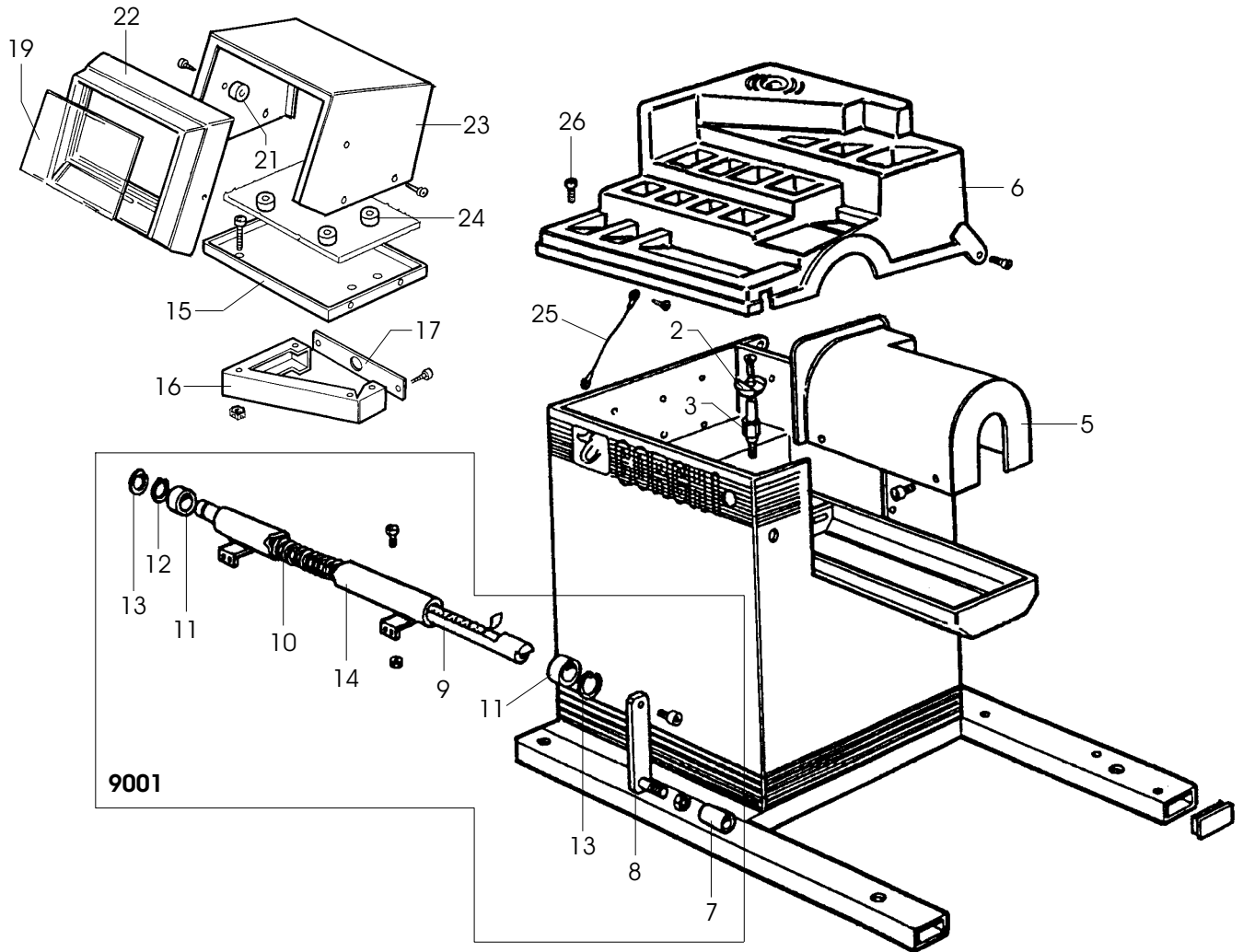
Le livret "Pièces de rechange", n'autorise pas l'utilisateur à intervenir sur les machines, sauf pour tout ce qui est clairement décrit dans le manuel d'utilisation, mais lui permet de fournir des informations précises à l'assistance technique, afin de diminuer les délais d'intervention.



0002	900336581	INCUDINE	ANVIL	AMBOSS	ENCLUME
0003	900336582	SUPPORTO	SUPPORT	LAGER	SUPPORT
0005	900440244	PROTEZIONE	SHIELD	ABDECKUNG	PROTECTION
0006	900438272	COPERCHIO	LID	DECKEL	COUVERCLE

9001	900239458	RILEVATORE	SIGNAL TRACER	AUFNEHMER	MESUREUR
0007	900324977	DISTANZIALE	SPACER	ABSTANDSSTUECK	ENTRETOISE
0008	900339459	LEVA	LEVER	HEBEL	LEVIER
0009	900339462	ASTA	SHAFT	STANGE	BARRE
0010	900439460	MOLLA	SPRING	FEDER	RESSORT
0011	900439461	BOCCOLA	BUSHING	LAGER	DOUILLE
0012	900439465	ANELLO	RING	RING	ANNEAU
0013	900439466	ANELLO	RING	RING	ANNEAU
0014	900239463	TUBO	PIPE	ROHR	TUYAU

0025	900241629	FUNE	CABLE	SEIL	CABLE
0026	900601825	VITE	SCREW	SCHRAUBE	VIS
0101	900339900	RINFORZO	REINFORCEMENT	VERSTAERKUNG	RENFORT
0102	900438262	FRONTALE	FRONT PANEL	STIRNBAND	FRONTAL
0103	900438263	COPERCHIO	LID	DECKEL	COUVERCLE
0104	900438353	RONDELLA	WASHER	UNTERLEGSCHIEBE	RONDELLE



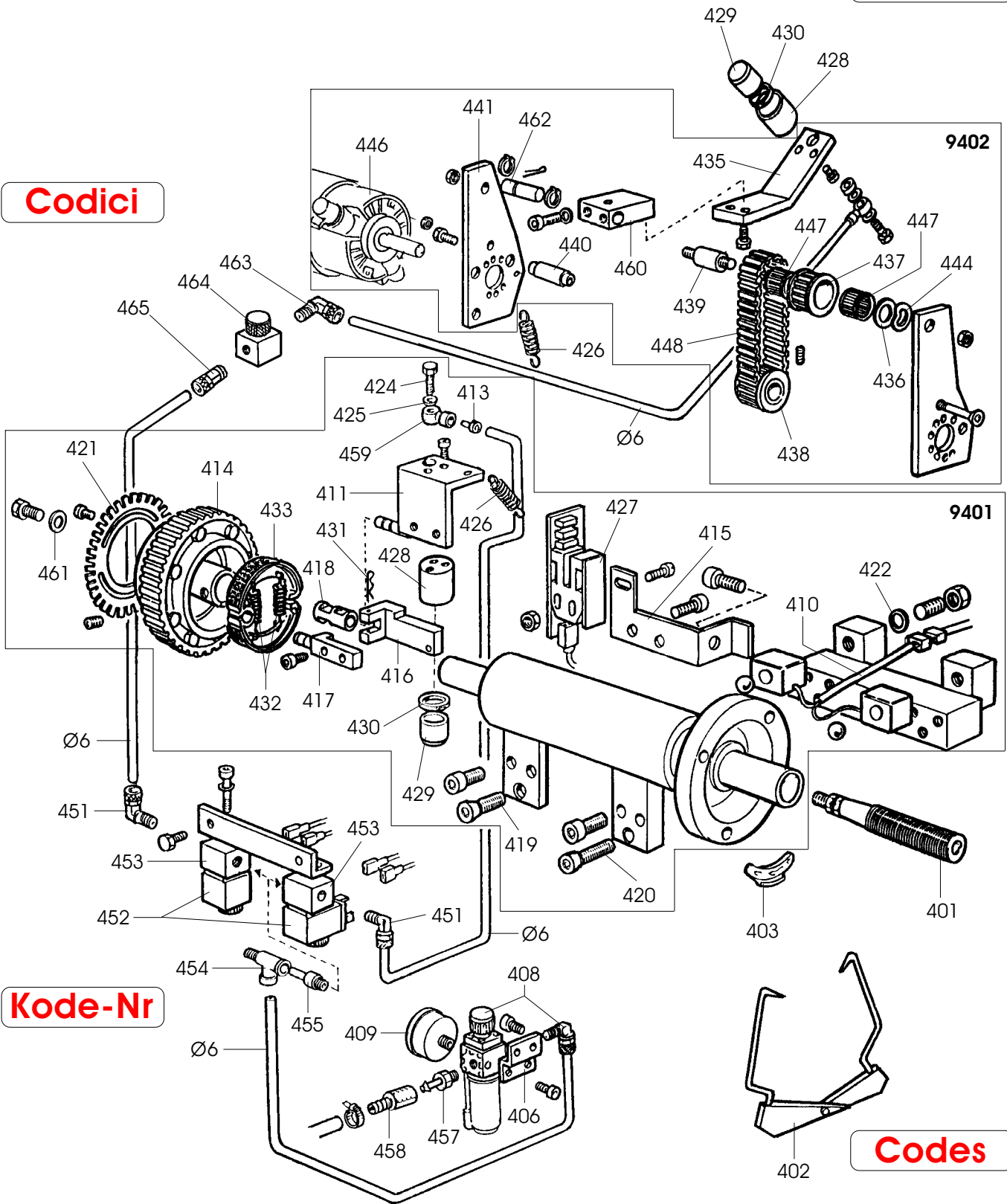
0002	900336581	INCUDINE	ANVIL	AMBOSS	ENCLUME
0003	900336582	SUPPORTO	SUPPORT	LAGER	SUPPORT
0005	900440244	PROTEZIONE	SHIELD	ABDECKUNG	PROTECTION
0006	900438272	COPERCHIO	LID	DECKEL	COUVERCLE

9001	900239458	RILEVATORE	SIGNAL TRACER	AUFNEHMER	MESUREUR
0007	900324977	DISTANZIALE	SPACER	ABSTANDSSTUECK	ENTRETOISE
0008	900339459	LEVA	LEVER	HEBEL	LEVIER
0009	900339462	ASTA	SHAFT	STANGE	BARRE
0010	900439460	MOLLA	SPRING	FEDER	RESSORT
0011	900439461	BOCCOLA	BUSHING	LAGER	DOUILLE
0012	900439465	ANELLO	RING	RING	ANNEAU
0013	900439466	ANELLO	RING	RING	ANNEAU
0014	900239463	TUBO	PIPE	ROHR	TUYAU

0015	900341392	APPOGGIO	RIM SUPPORT	STUETZE	APPUI
0016	900341561	SUPPORTO	SUPPORT	LAGER	SUPPORT
0017	900341562	CARTER	CASING	GEHAUSE	CARTER
0019	900440426	SCHERMO	PROTECTION	SCHUTZSCHIRM	PROTECTION
0021	900441675	ANTIVIBRANTE	VIBRATION DAM.	SCHWINGUNGSDAEM.	ANTI-VIBRATION
0022	900441619	FRONTALE	FRONT PANEL	STIRNBAND	FRONTAL
0023	900348193	PROTEZIONE	SHIELD	ABDECKUNG	PROTECTION
0024	950401530	PROTEZIONE	SHIELD	ABDECKUNG	PROTECTION

Codes

Codici



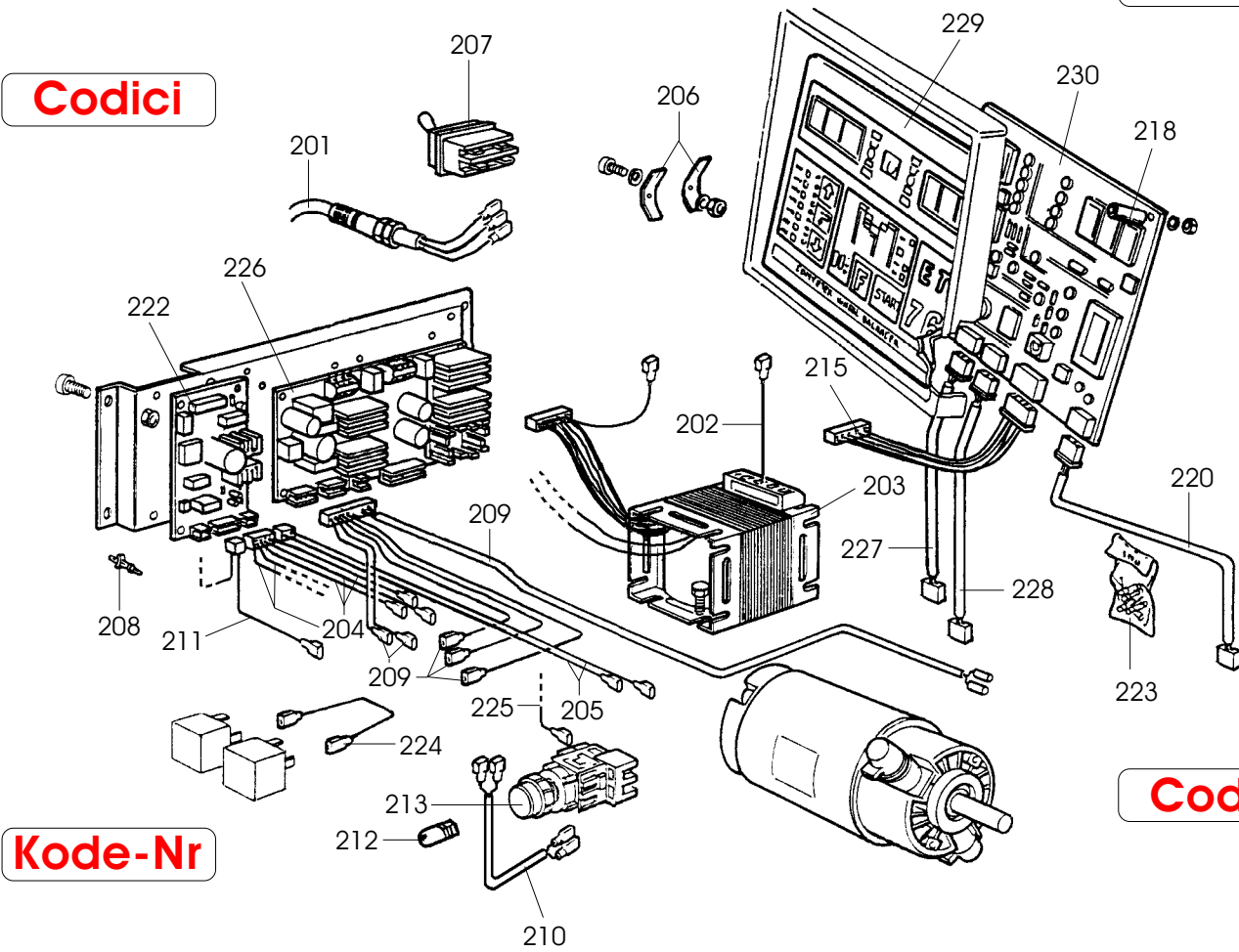
**ET 76 - ET 86 C****Fig. B****07 / 98****Gruppo oscillante completo**

Ø 6	900701684	TUBO	PIPE	ROHR	TUYAU
0401	900238304	MOZZO	HUB	NABE	MOYEU
0402	900239556	CALIBRO	CALIPER	LEHRE	CALIBRE
0403	900430573	PESO 100g	100g WEIGHT	GEWICHT 100g	POIDS 100g
0403	900439516	PESO 300g	300g WEIGHT	GEWICHT 300g	POIDS 300g
0406	900333683	STAFFA	BRACKET	KLAUE	ETRIER
0408	900434617	FILTRO	FILTER	FILTER	FILTRE
0409	900434818	MANOMETRO	PRESSURE GAUGEDRUCKMESSER		MANOMETRE

9401	900239454	SUPPORTO	SUPPORT	LAGER	SUPPORT
0410	900237201	COPPIA DI PICK UP	PICK UP PAIR	PICK UP-PAAR	PAIRE DE CAPTEUR
0411	900239273	SUPPORTO	SUPPORT	LAGER	SUPPORT
0413	900327753	STROZZATORE	THROTTLER	DROSSELKLAPPE	ETRANGLEUR
0414	900338880	PULEGGIA	PULLEY	RIEMENSCHLEIBE	POULIE
0415	900338969	SUPPORTO	SUPPORT	LAGER	SUPPORT
0416	900241386	LEVA	LEVER	HEBEL	LEVIER
0417	900339269	ATTACCO	ADAPTOR	HALTERUNG	ATTAQUE
0418	900339271	BLOCCHETTO	BLOCK	BLOCK	BLOC
0419	900339430	VITE	SCREW	SCHRAUBE	VIS
0420	900339431	VITE	SCREW	SCHRAUBE	VIS
0421	900339451	DISCO	DISK	SCHLEIBE	DISQUE
0422	900424993	MOLLA	SPRING	FEDER	RESSORT
0424	900428719	VITE	SCREW	SCHRAUBE	VIS
0425	900428720	RONDELLA	WASHER	UNTERLEGSCHLEIBE	RONDELLE
0426	900432335	MOLLA	SPRING	FEDER	RESSORT
0427	900439010	SCHEDA ELETTRON.	P.C.BOARD	ELEKTR.PLATINE	FICHE ELECTR.
0428	900439266	CILINDRO	CYLINDER	ZYLINDER	CYLINDRE
0429	900439267	PISTONE	PISTON	KOLBEN	PISTON
0430	900439276	GUARNIZIONE	SEAL	DICHTUNG	JOINT
0431	900439493	MOLLA	SPRING	FEDER	RESSORT
0432	900439494	MOLLA	SPRING	FEDER	RESSORT
0433	900439495	CEPPO FRENO	BRAKE SHOE	BREMSBACKE	MACHOIRE
0459	900428718	ANELLO	RING	RING	ANNEAU
0461	900326633	RONDELLA	WASHER	UNTERLEGSCHLEIBE	RONDELLE

9402	900239457	DISPOSIT.DI LANCIO	SPINNING ASS.	MASCHINENWELLE	DISPOSITIF DE LANC.
0435	900339265	STAFFA	BRACKET	KLAUE	ETRIER
0436	900309358	RONDELLA	WASHER	UNTERLEGSCHLEIBE	RONDELLE
0437	900338364	PULEGGIA	PULLEY	RIEMENSCHLEIBE	POULIE
0438	900338365	PULEGGIA	PULLEY	RIEMENSCHLEIBE	POULIE
0439	900338366	PERNO	PIN	ZAPFEN	PIVOT
0440	900338367	TUBO	PIPE	ROHR	TUYAU
0441	900338369	PIASTRA	SLAB	PLATTE	PLAQUE
0444	900414528	ANELLO	RING	RING	ANNEAU
0446	900439550	MOTORE	MOTOR	MOTOR	MOTEUR
0447	900601897	ASTUCCIO	BOX	ETUI	ETUI
0448	900438363	CINGHIA	BELT	RIEMEN	COURROIE
0460	900354759	BLOCCHETTO	BLOCK	BLOCK	BLOC
0462	900354758	PERNO	PIN	ZAPFEN	PIVOT

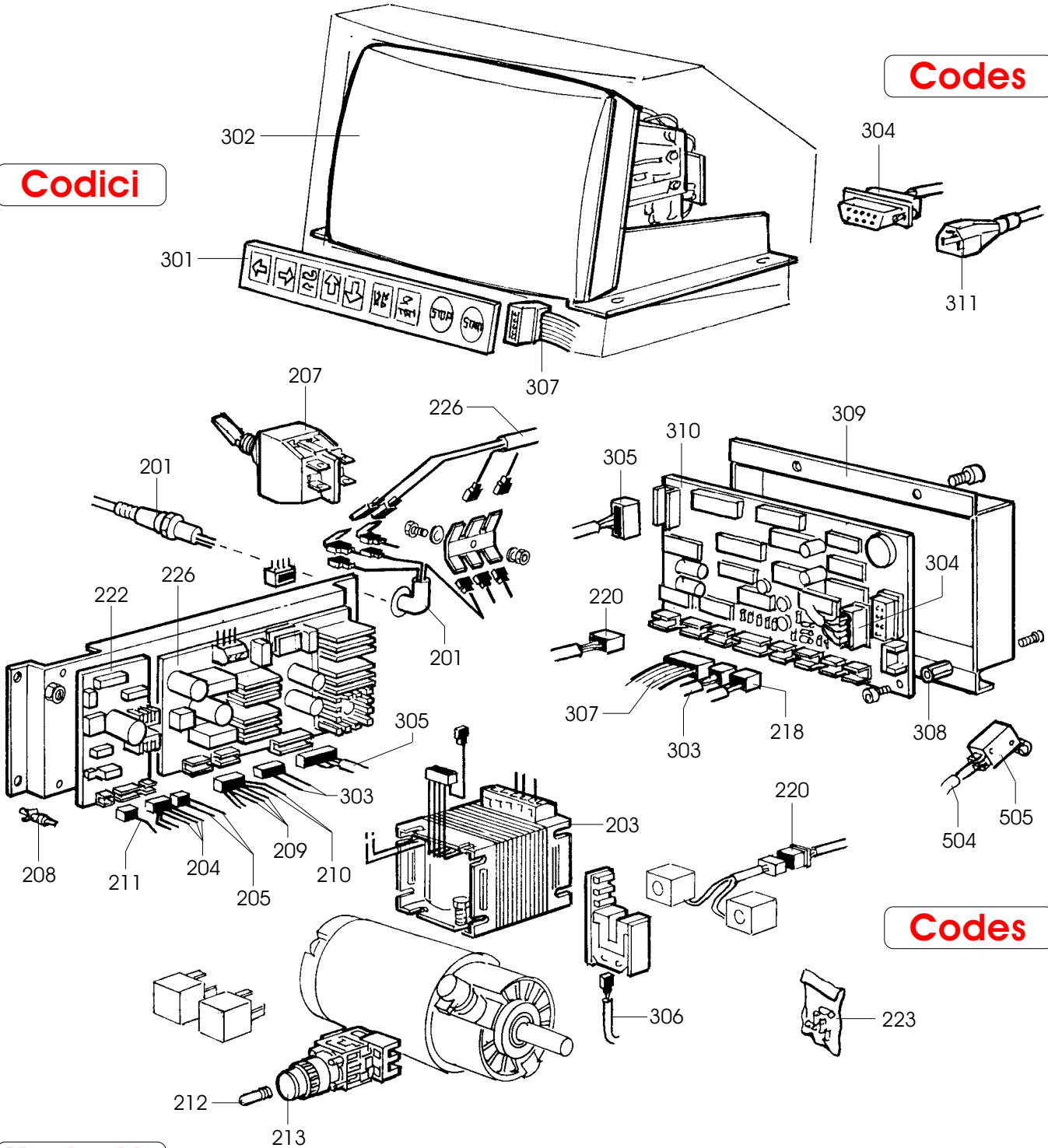
0451	900414842	RACCORDO	CONNECTOR	ANSCHLUSS	RACCORD
0452	900439512	VALVOLA	VALVE	VENTIL	VANNE
0453	900439513	CORPO	BODY	KOERPER	CORPS
0454	900444121	RACCORDO	CONNECTOR	ANSCHLUSS	RACCORD
0455	900439515	ADATTATORE	ADAPTER	ADAPTER	ADAPTATEUR
0457	900441900	GIUNTO	COUPLING	KUPPLUNG	ACCOUPLLEMENT
0458	900441899	GIUNTO	COUPLING	KUPPLUNG	ACCOUPLLEMENT
0463	900443432	RACCORDO	CONNECTOR	ANSCHLUSS	RACCORD
0464	900454919	VALVOLA	VALVE	VENTIL	VANNE
0465	900441568	RACCORDO	CONNECTOR	ANSCHLUSS	RACCORD

Codici**Codes****Kode-Nr****Codes**

0201	900235392	CAVO	CABLE	KABEL	CABLE
0202	900237172	CAVO	CABLE	KABEL	CABLE
0203	900239248	TRASFORM. 220V	TRANSF. 220V	TRANSF. 220V	TRANSF. 220V
0203	900241672	TRASFORM. 110V	TRANSF. 110V	TRANSF. 110V	TRANSF. 110V
0204	900239574	CAVO	CABLE	KABEL	CABLE
0205	900240345	CAVO	CABLE	KABEL	CABLE
0206	900416115	LINGUETTA	TANG	FEDERKEIL	LANGUETTE
0207	900430347	INTERRUTTORE	SWITCH	SCHALTER	INTERRUPTEUR
0208	900433908	COLONNETTA	STUD	SCHRAUBENBOLZEN	COLONNETTE
0209	900239572	CAVO	CABLE	KABEL	CABLE
0210	900239575	CAVO	CABLE	KABEL	CABLE
0211	900239577	CAVO	CABLE	KABEL	CABLE
0212	950415012	LAMPADA	LAMP	LAMPE	LAMPE
0213	900439253	PULSANTE	BUTTON	DRUCKKNOPF	BOUTON
0215	900238726	CAVO	CABLE	KABEL	CABLE
0218	900438996	DISTANZIALE	SPACER	ABSTANDSSTUECK	ENTRETOISE
0220	900239586	CAVO	CABLE	KABEL	CABLE
0222	900439571	SCHEDA ELETTRON.	P.C.BOARD	ELEKTR.PLATINE	FICHE ELECTR.
0223	900218079	SACCHETTO 3.15A	BAG 3.15A	BEUTEL 3.15A	SACHET 3.15A
0223	950229690	SACCHETTO 0.5A	BAG 0.5A	BEUTEL 0.5A	SACHET 0.5A
0223	900229665	SACCHETTO 6A(rif.)	BAG 6A (delay.)	BEUTEL 6A	SACHET 6A
0223	900254977	SACCH. 20AT (rif.)	BAG 20AT (del.)	BEUTEL 20AT	SACHET 20AT
0224	900239578	CAVO	CABLE	KABEL	CABLE
0225	900239576	CAVO	CABLE	KABEL	CABLE
0226	900454218	SCHEDA ELETTRON.	P.C.BOARD	ELEKTR.PLATINE	FICHE ELECTR.
0227	900449318	CAVO FLAT	FLAT CABLE	FLACHER KABEL	CABLE FLAT
0228	900450552	CAVO FLAT	FLAT CABLE	FLACHER KABEL	CABLE FLAT
0229	900441480	TARGHETTA	DATA PLATE	TYPENSCHILD	PLAQUETTE
0230	900448874	SCHEDA LETTRON.	P.C.BOARD	ELEKTR.PLATINE	FICHE ELECTR.

Codici

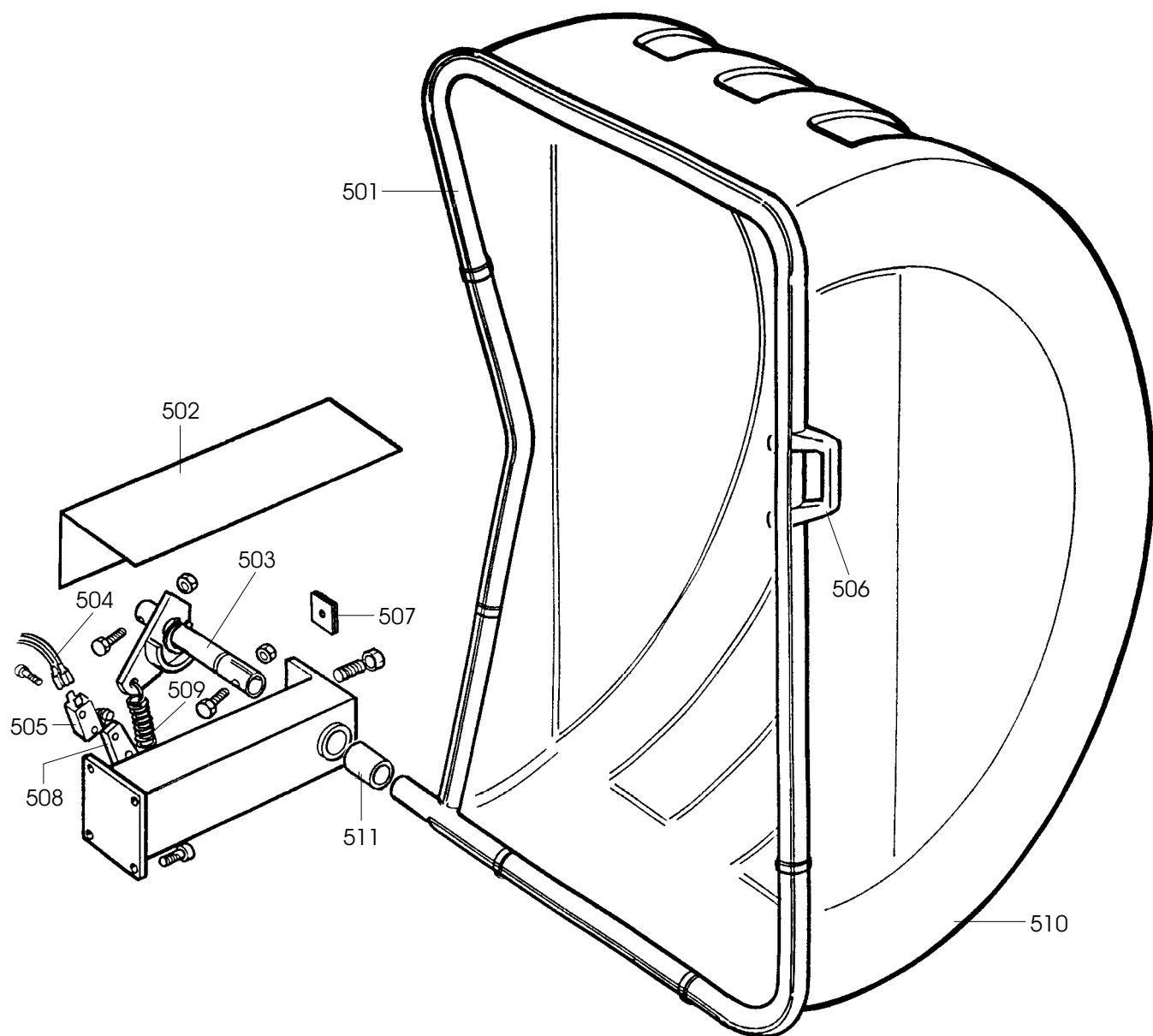
Codes



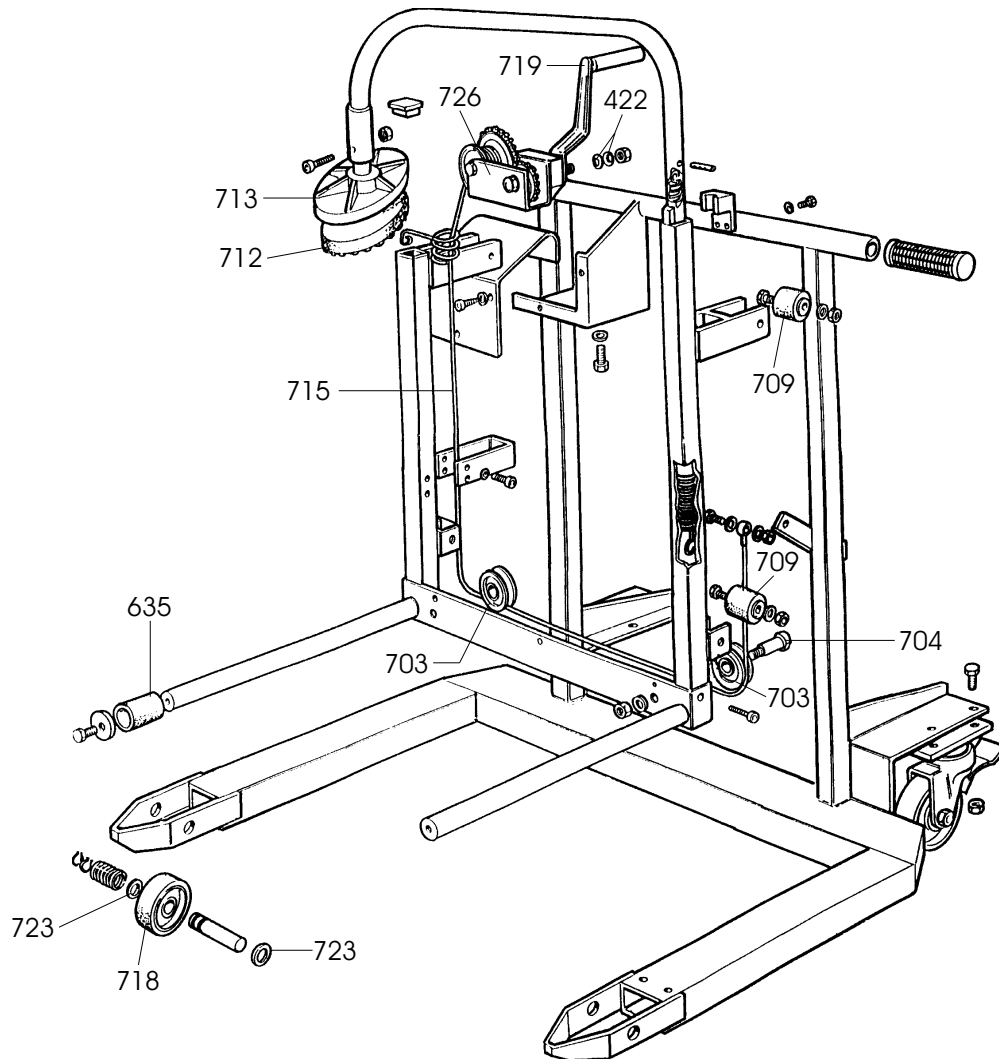
Kode-Nr

Codes

0201	900235392	CAVO	CABLE	KABEL	CABLE
0203	900239248	TRASFORM. 220V	TRANSF. 220V	TRANSF. 220V	TRANSF. 220V
0203	900241672	TRASFORM. 110V	TRANSF. 110V	TRANSF. 110V	TRANSF. 110V
0204	900239574	CAVO	CABLE	KABEL	CABLE
0205	900240345	CAVO	CABLE	KABEL	CABLE
0207	900430347	INTERRUTTORE	SWITCH	SCHALTER	INTERRUPTEUR
0208	900433908	COLONNETTA	STUD	SCHRAUBENBOLZEN	COLONNETTE
0209	900239572	CAVO	CABLE	KABEL	CABLE
0210	900239575	CAVO	CABLE	KABEL	CABLE
0211	900239577	CAVO	CABLE	KABEL	CABLE
0212	950415012	LAMPADA	LAMP	LAMPE	LAMPE
0213	900439253	PULSANTE	BUTTON	DRUCKKNOPF	BOUTTON
0220	900239586	CAVO	CABLE	KABEL	CABLE
0222	900439571	SCHEDE ELETTRON.	P.C.BOARD	ELEKTR.PLATINE	FICHE ELECTR.
0223	900218079	SACCHETTO 3.15A	BAG 3.15A	BEUTEL 3.15A	SACHET 3.15A
0223	950229690	SACCHETTO 0.5A	BAG 0.5A	BEUTEL 0.5A	SACHET 0.5A
0223	900229663	SACCHETTO 1A (rit.)	BAG 1A (delay.)	BEUTEL 1A	SACHET 1A
0223	900229665	SACCHETTO 6A(rit.)	BAG 6A (delay.)	BEUTEL 6A	SACHET 6A
0226	900454218	SCHEDE ELETTRON.	P.C.BOARD	ELEKTR.PLATINE	FICHE ELECTR.
0301	900447546	TASTIERA	KEYBOARD	TASTATUR	CLAVIER
0302	900448008	MONITOR	MONITOR	MONITOR	MONITEUR
0303	900241444	CAVO	CABLE	KABEL	CABLE
0304	900241451	CAVO	CABLE	KABEL	CABLE
0305	900241473	CAVO	CABLE	KABEL	CABLE
0306	900241606	CAVO	CABLE	KABEL	CABLE
0307	900241623	CAVO	CABLE	KABEL	CABLE
0308	900321020	DISTANZIALE	SPACER	ABSTANDSSTUECK	ENTRETOISE
0309	900341907	CARTER	CASING	GEHAUSE	CARTER
0310	900249671	SCHEDE MBGRAF	MBGRAF BOARD	PLATINE MBGRAF	FICHE MBGRAF
0311	900241450	CAVO 220V	CABLE 220V	KABEL 220V	CABLE 220V
0311	900241674	CAVO 110V	CABLE 110V	KABEL 110V	CABLE 110V
0504	900240536	CAVO	CABLE	KABEL	CABLE
0505	950413654	MICROINTERRUTT.	MICROSWITCH	MIKROSCHALTER	MICROINTERRUPTEUR



0501	900240151	TUBO	PIPE	ROHR	TUYAU
0502	900340154	LAMIERA	METAL SHEET	BLECH	TOLE
0503	900240147	FERMO	RETAINER	ANSCHLAG	ARRET
0504	900240536	CAVO	CABLE	KABEL	CABLE
0505	950413654	MICROINTERRUTT.	MICROSWITCH	MIKROSCHALTER	MICROINTERRUPTEUR
0506	900433473	MANIGLIA	HANDLE	HANDGRIFF	POIGNEE
0507	900435441	TASSELLO	BLOCK	EINSATZSTUECK	TAMPON
0508	900435898	SUPPORTO	SUPPORT	LAGER	SUPPORT
0509	900440155	MOLLA	SPRING	FEDER	RESSORT
0510	900440482	PROTEZIONE	SHIELD	ABDECKUNG	PROTECTION
0511	900470572	BOCCOLA	BUSHING	LAGER	DOUILLE

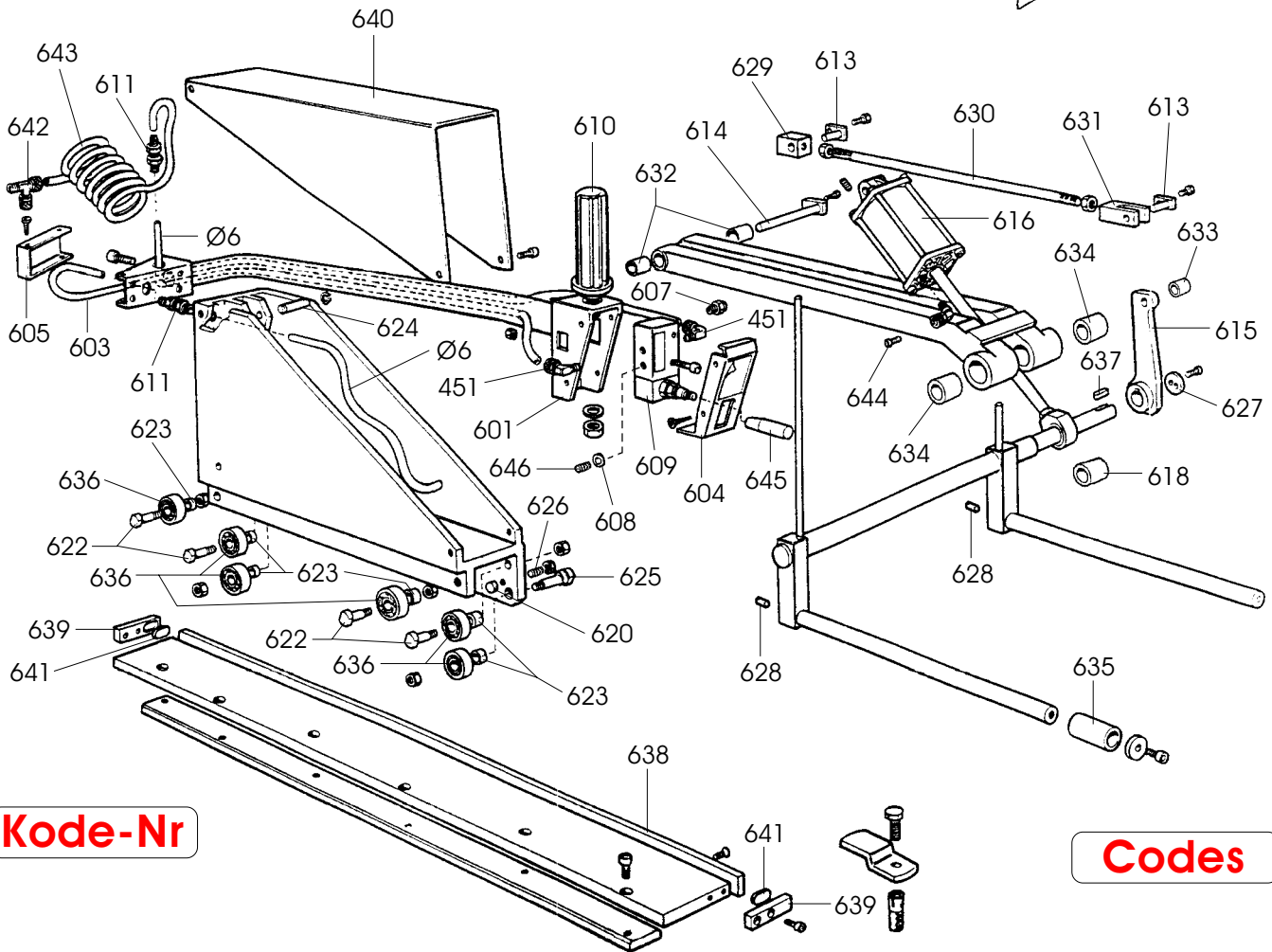


0422	900424993	MOLLA	SPRING	FEDER	RESSORT
0635	900440630	BOCCOLA	BUSHING	LAGER	DOUILLE
0703	900339789	PULEGGIA	PULLEY	RIEMENSCHLEIBE	POULIE
0704	900339790	PERNO	PIN	ZAPFEN	PIVOT
0709	900439746	ROTELLA	WHEEL	RAEDCHEN	ROULETTE
0712	900491332	TAMPONE	PAD	PUFFER	TAMPON
0715	900492830	FUNE	CABLE	SEIL	CABLE
0718	900339715	RUOTA	WHEEL	RAD	ROUE
0719	900339719	MANOVELLA	CRANK	KURBEL	MANIVELLE
0723	900435005	RONDELLA	WASHER	UNTERLEGSCHLEIBE	RONDELLE
0726	900439718	RONDELLA	WASHER	UNTERLEGSCHLEIBE	RONDELLE

Codes

Codici

617



Kode-Nr

Codes

Ø 6	900701684	TUBO	PIPE	ROHR	TUYAU
0451	900414842	RACCORDO	CONNECTOR	ANSCHLUSS	RACCORD
0601	900239240	MANICO	HANDLE	GRIFF	MANCHE
0604	900339236	CARTER	CASING	GEHAUSE	CARTER
0605	900340998	CARTER	CASING	GEHAUSE	CARTER
0607	900415279	SILENZIATORE	SILENCER	SCHALLDAEMPFER	SILENCIEUX
0608	950417750	GUARNIZIONE	SEAL	DICHTUNG	JOINT
0609	900435644	VALVOLA	VALVE	VENTIL	VANNE
0610	900439238	MANOPOLA	KNOB	BALLENGRIFF	BOUTON
0611	900447646	RACCORDO	CONNECTOR	ANSCHLUSS	RACCORD
0613	900239976	PERNO	PIN	ZAPFEN	PIVOT
0614	900239977	PERNO	PIN	ZAPFEN	PIVOT
0615	900239991	LEVA	LEVER	HEBEL	LEVIER
0616	900239996	CILINDRO	CYLINDER	ZYLINDER	CYLINDRE
0617	900241484	KIT GUARNIZIONI	SEALS KIT	DICHTUNGSATZ	KIT JOINTS
0618	900439998	CUSCINETTO	BEARING	LAGER	ROULEMENT
0620	900327826	PASTIGLIA	PIN	STIFT	PLAQUETTE
0622	900339963	PERNO	PIN	ZAPFEN	PIVOT
0623	900339964	DISTANZIALE	SPACER	ABSTANDSSTUECK	ENTRETOISE
0624	900339965	PERNO	PIN	ZAPFEN	PIVOT
0625	900339966	PERNO	PIN	ZAPFEN	PIVOT
0626	900339978	GRANO	GRUB SCREW	MADENSCHRAUBE	ERGOT
0627	900339983	RONDELLA	WASHER	UNTERLEGSCHIEBE	RONDELLE
0628	900339987	AMMORTIZZATORE	SHOCK ABSORB.	STOSSDAEMPFER	AMORTISSEUR
0629	900339988	BOCCOLA	BUSHING	LAGER	DOUILLE
0630	900339989	TIRANTE	STAY ROD	ZUGSTANGE	TIRANT
0631	900339990	FORCELLA	FORK	GABEL	FOURCHE
0632	900439979	CUSCINETTO	BEARING	LAGER	ROULEMENT
0633	900439994	CUSCINETTO	BEARING	LAGER	ROULEMENT
0634	900439997	CUSCINETTO	BEARING	LAGER	ROULEMENT
0635	900440630	BOCCOLA	BUSHING	LAGER	DOUILLE
0636	900601909	CUSCINETTO	BEARING	LAGER	ROULEMENT
0637	900601910	LINGUETTA	TANG	FEDERKEIL	LANGUETTE
0639	900340011	FERMO	RETAINER	ANSCHLAG	ARRET
0640	900340524	PROTEZIONE	SHIELD	ABDECKUNG	PROTECTION
0641	900420026	TASSELLO	BLOCK	EINSATZSTUECK	TAMPON
0642	900435042	RACCORDO	CONNECTOR	ANSCHLUSS	RACCORD
0643	900440016	TUBO	PIPE	ROHR	TUYAU
0644	900331783	STROZZATORE	THROTTLER	DROSSELKLAPPE	ETRANGLEUR
0645	900440585	MANOPOLA	KNOB	BALLENGRIFF	BOUTON
0646	900432312	RACCORDO	CONNECTOR	ANSCHLUSS	RACCORD

Il disegno è realizzato con tutti i particolari ma solo quelli codificati sono forniti come ricambi. L'Azienda si riserva la facoltà di apportare modifiche senza preavviso.



S.S. 468 n°9 - 42015 Correggio (RE) ITALY
Tel. ++39 0522 639111 - Fax ++39 0522 639150

The drawing shows all parts but only the coded parts are supplied as spares. The Company reserves the right to make modifications without prior notice.