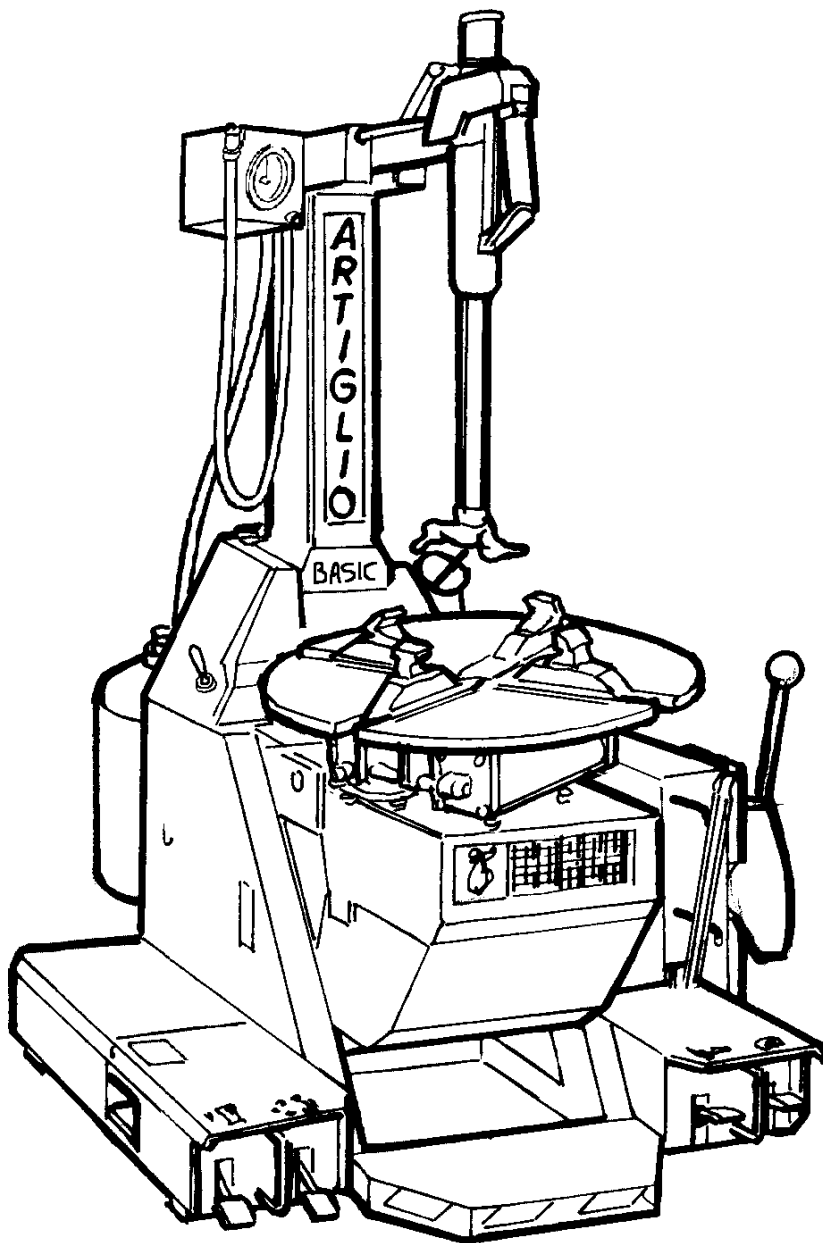


Questo libretto non autorizza l'utente ad intervenire sulle macchine ad esclusione di quanto esplicitamente descritto nel Manuale d'uso, ma consente all'utente di fornire informazioni precise all'Assistenza tecnica, al fine di ridurre i tempi di intervento.

# ARTIGLIO BASIC

The "Spare parts" booklet does not authorize the user to carry out work on the machine unless expressly specified in the instruction manual, but does enable him to provide accurate information to the assistance service in order to reduce downtime.

## PEZZI DI RICAMBIO SPARE PARTS LIST ERSATZTEILLISTE PIECES DE RECHANGE



In produzione da  
Production from  
Herstellung ab  
Production

04 / 01

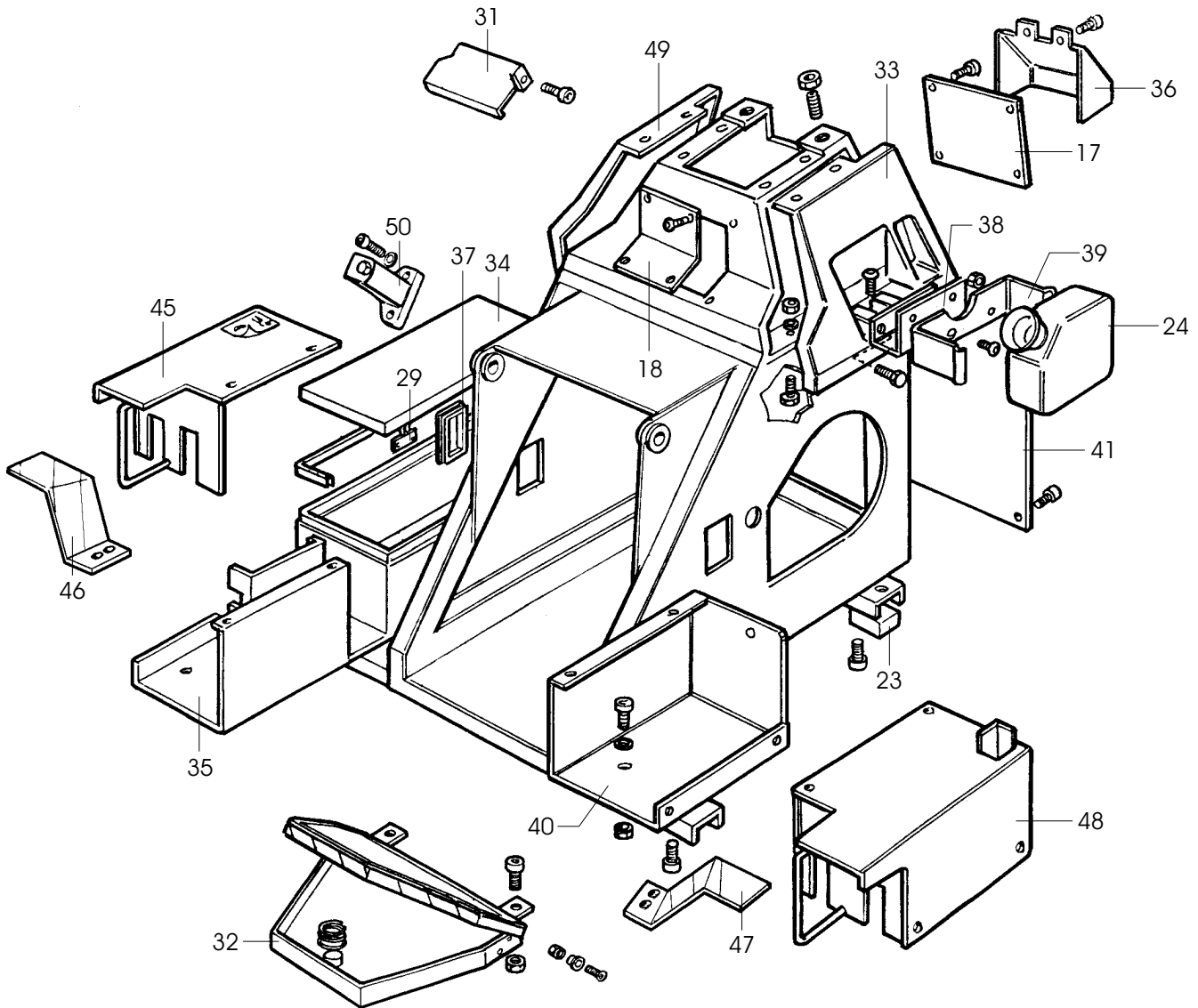
Versione

2.0

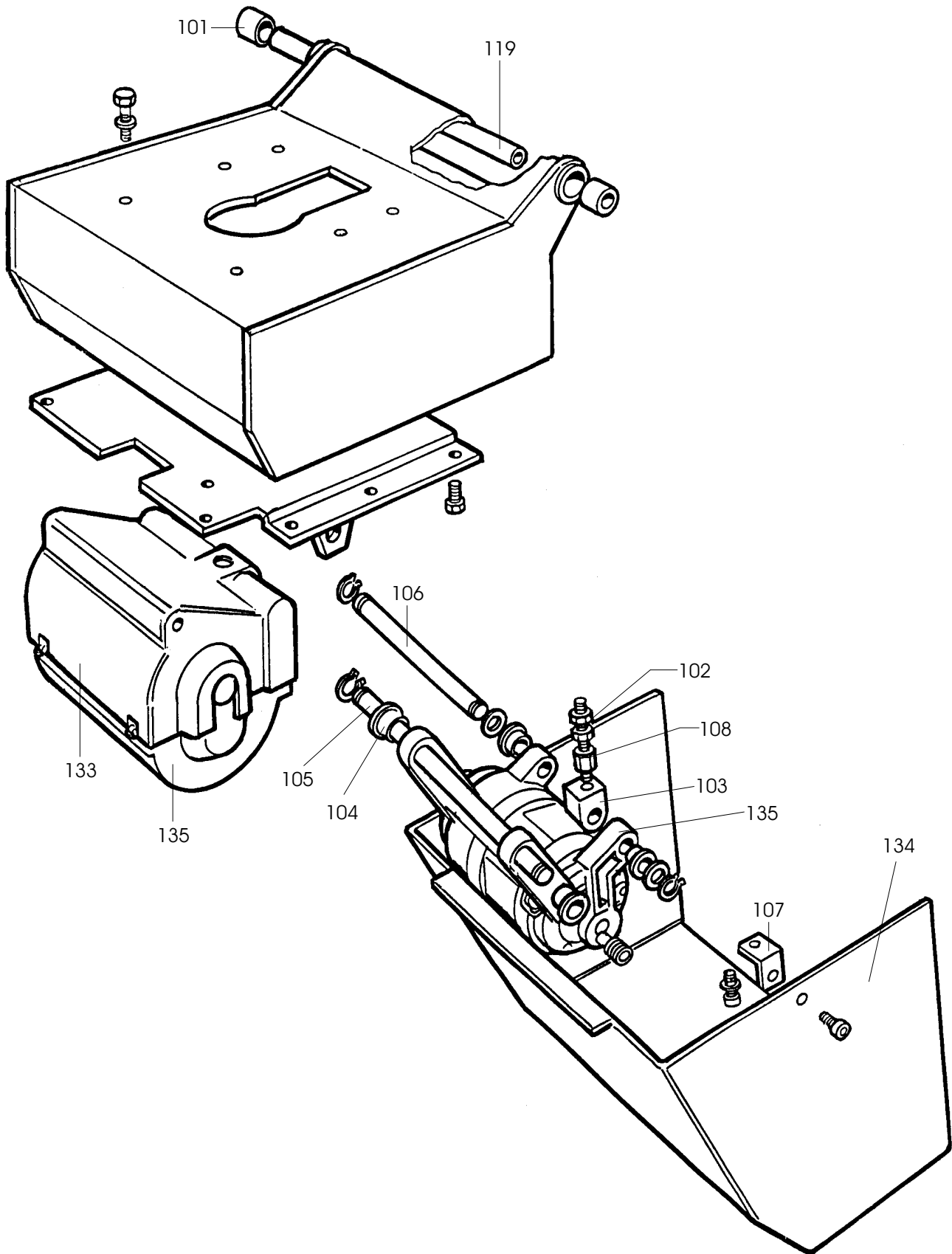
Der Katalog Ersatzteile stellt keine Genehmigung zu eigenmächtigen Eingriffen dar (mit Ausnahme jener im Handbuch beschriebenen), sondern er soll den Anwender in die Lage versetzen, dem technischen Service präzise Informationen zu liefern, um die Reparaturzeiten zu verkürzen.



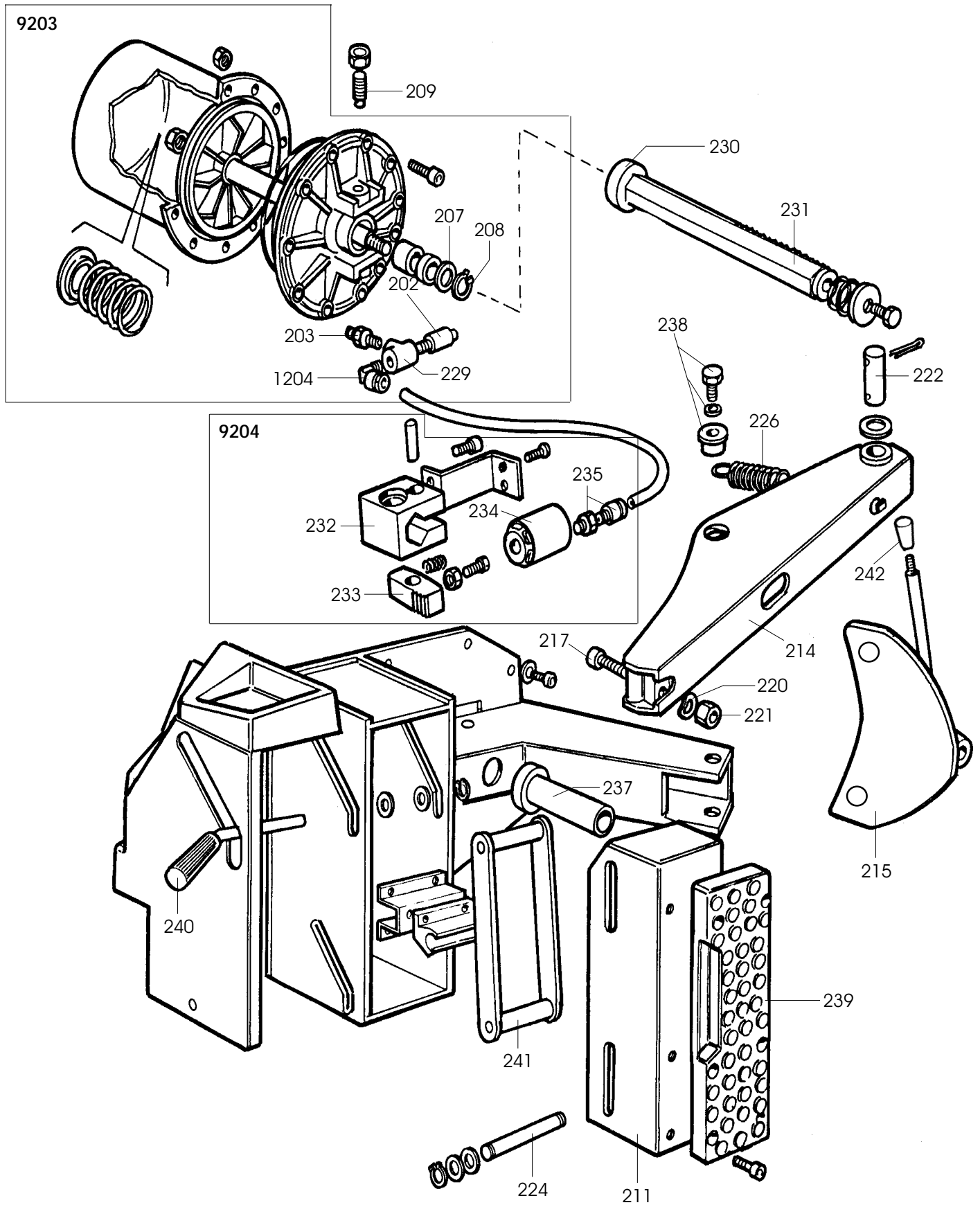
Le livret "Pièces de rechange", n'autorise pas l'utilisateur à intervenir sur les machines, sauf pour tout ce qui est clairement décrit dans le manuel d'utilisation, mais lui permet de fournir des informations précises à l'assistance technique, afin de diminuer les délais d'intervention.



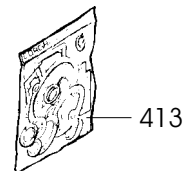
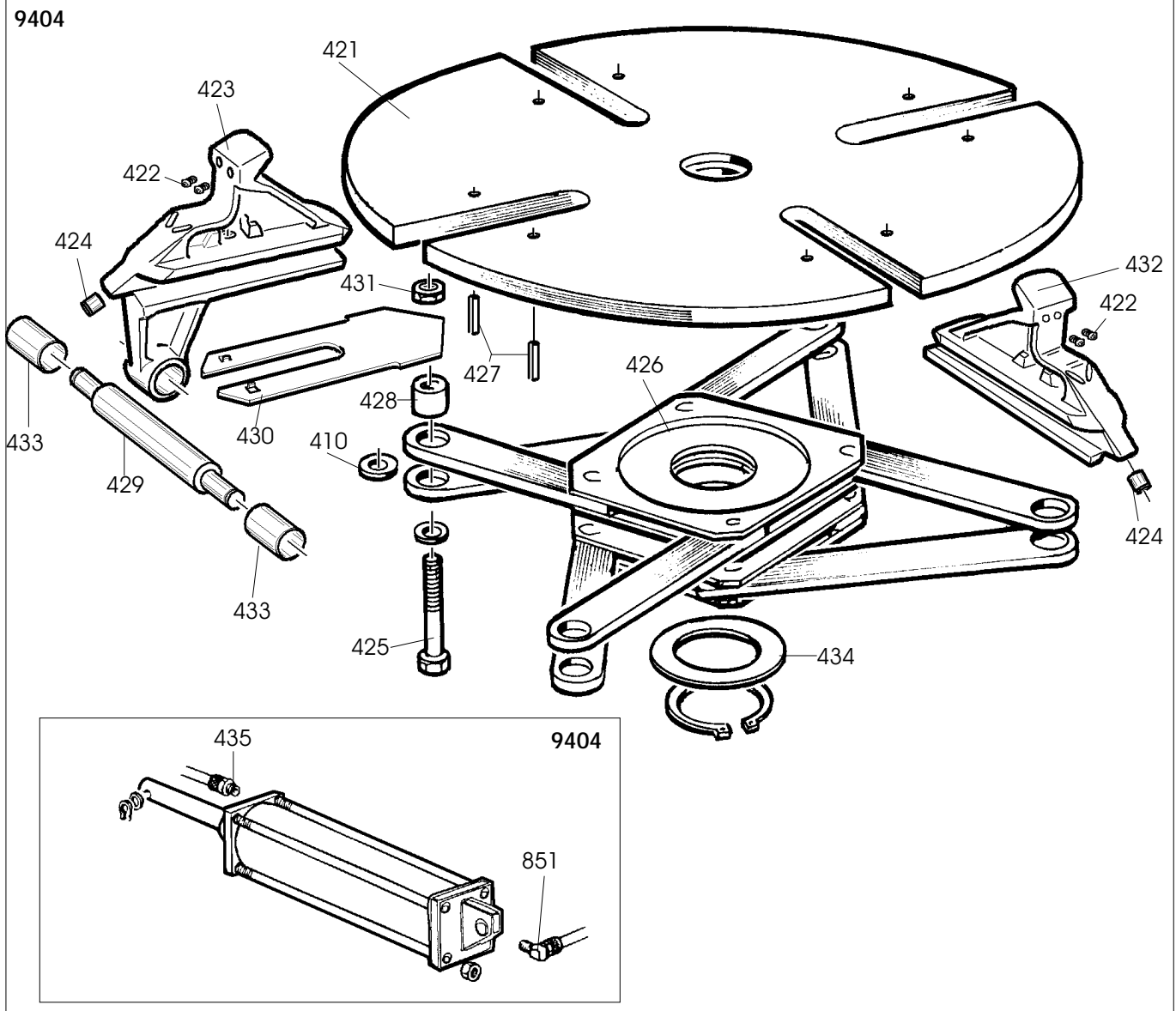
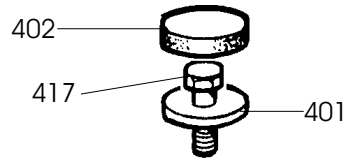
0017	900340575	COPERCHIO	LID	DECKEL	COUVERCLE
0018	900340576	COPERCHIO	LID	DECKEL	COUVERCLE
0023	900422019	PIEDE	FOOT	FUSS	PIED
0024	900423405	CONTENITORE	CONTAINER	BEHAELTER	CONTENEUR
0029	900443310	CERNIERA	HINGE	SCHARNIER	CHARNIERE
0031	900341408	PROTEZIONE	SHIELD	ABDECKUNG	PROTECTION
0032	900243137	PROTEZIONE	SHIELD	ABDECKUNG	PROTECTION
0033	900443772	CARTER	CASING	GEHAUSE	CARTER
0034	900243281	COPERCHIO	LID	DECKEL	COUVERCLE
0035	900243278	FONDO PEDALIERA	PEDAL BASE	PEDAL UNTERLAGE	FOND PEDALE
0036	900341409	PROTEZIONE	SHIELD	ABDECKUNG	PROTECTION
0037	900439206	TAPPO	PLUG	STOPFEN	BOUCHON
0038	900343758	STAFFA	BRACKET	KLAUE	ETRIER
0039	900315522	SUPPORTO	SUPPORT	LAGER	SUPPORT
0040	900243296	FONDO PEDALIERA	PEDAL BASE	PEDAL UNTERLAGE	FOND PEDALE
0041	900343117	COPERCHIO	LID	DECKEL	COUVERCLE
0045	900248962	CARTER	CASING	GEHAUSE	CARTER
0046	900348989	STAFFA	BRACKET	KLAUE	ETRIER
0047	900349002	STAFFA	BRACKET	KLAUE	ETRIER
0048	900248960	CARTER	CASING	GEHAUSE	CARTER
0049	900449114	CARTER	CASING	GEHAUSE	CARTER
0050	900349081	CONTRASTO	CONTRAST	KONTRAST	CONTRASTE




0101	900440569	BOCCOLA	BUSHING	LAGER	DOUILLE
0102	900340362	DADO	NUT	MUTTER	ECROU
0103	900340364	BLOCCHETTO	BLOCK	BLOCK	BLOC
0104	900340365	BOCCOLA	BUSHING	LAGER	DOUILLE
0105	900340366	PERNO	PIN	ZAPFEN	PIVOT
0106	900340367	PERNO	PIN	ZAPFEN	PIVOT
0107	900341558	STAFFA	BRACKET	KLAUE	ETRIER
0108	900340363	VITE	SCREW	SCHRAUBE	VIS
0119	900349120	PERNO	PIN	ZAPFEN	PIVOT
0133	900444857	COPERCHIO	LID	DECKEL	COUVERCLE
0134	900349204	CARTER	CASING	GEHAUSE	CARTER
0135	900251700	MOTORE	MOTOR	MOTOR	MOTEUR



9203	900242739	CILINDRO	CYLINDER	ZYLINDER	CYLINDRE
0202	900419138	SILENZIATORE	SILENCER	SCHALLDAEMPFER	SILENCIEUX
0203	900433552	RIDUTTORE	GEAR BOX	GETRIEBE	REDUCTEUR
0207	900325561	RONDELLA	WASHER	UNTERLEGSCHIEBE	RONDELLE
0208	900434031	ANELLO	RING	RING	ANNEAU
0229	900419141	VALVOLA	VALVE	VENTIL	VANNE
1204	900442276	RACCORDO	CONNECTOR	ANSCHLUSS	RACCORD
0206	900238212	KIT GUARNIZIONI	SEALS KIT	DICHTUNGSATZ	KIT JOINTS
0209	900431864	VITE	SCREW	SCHRAUBE	VIS
0211	900239944	PROLUNGA	EXT. CORD	VERLAENGERUNG	RALLONGE
0214	900239957	BRACCIO	ARM	ARM	BRAS
0215	900224000	PALETTA	BEAD BREAKER	SCHAUFEL	PELLE
0217	900324008	PERNO	PIN	ZAPFEN	PIVOT
0220	900409650	RONDELLA	WASHER	UNTERLEGSCHIEBE	RONDELLE
0221	900422255	DADO	NUT	MUTTER	ECROU
0222	900323903	FULCRO	FULCRUM	DREHPUNKT	ENTABLURE
0224	900339962	PERNO	PIN	ZAPFEN	PIVOT
0226	900440075	MOLLA	SPRING	FEDER	RESSORT
0230	900342777	DADO	NUT	MUTTER	ECROU
0231	900342780	ASTA	SHAFT	STANGE	BARRE
9204	900248521	CRICCHETTO	CRICK	SPERRKLINKE	CLIQUET
0232	900348518	BLOCCHETTO	BLOCK	BLOCK	BLOC
0233	900342779	LEVA	LEVER	HEBEL	LEVIER
0234	900244969	CILINDRO	CYLINDER	ZYLINDER	CYLINDRE
0235	900419463	RACCORDO	CONNECTOR	ANSCHLUSS	RACCORD
0237	900242778	TAMPONE	PAD	PUFFER	TAMPON
0238	900246893	KIT TRASF.	TRANSFORM. KIT	VERWANDLUNGSATZ	KIT TRANSFORM.
0239	900436199	APPOGGIO	RIM SUPPORT	STUETZE	APPUI
0240	900339456	PERNO	PIN	ZAPFEN	PIVOT
0241	900239050	BIELLA	TRACE	PLEUELSTANGE	BIELLE
0242	900425219	POMOLO	KNOB	BALLENGRIFF	POMMEAU



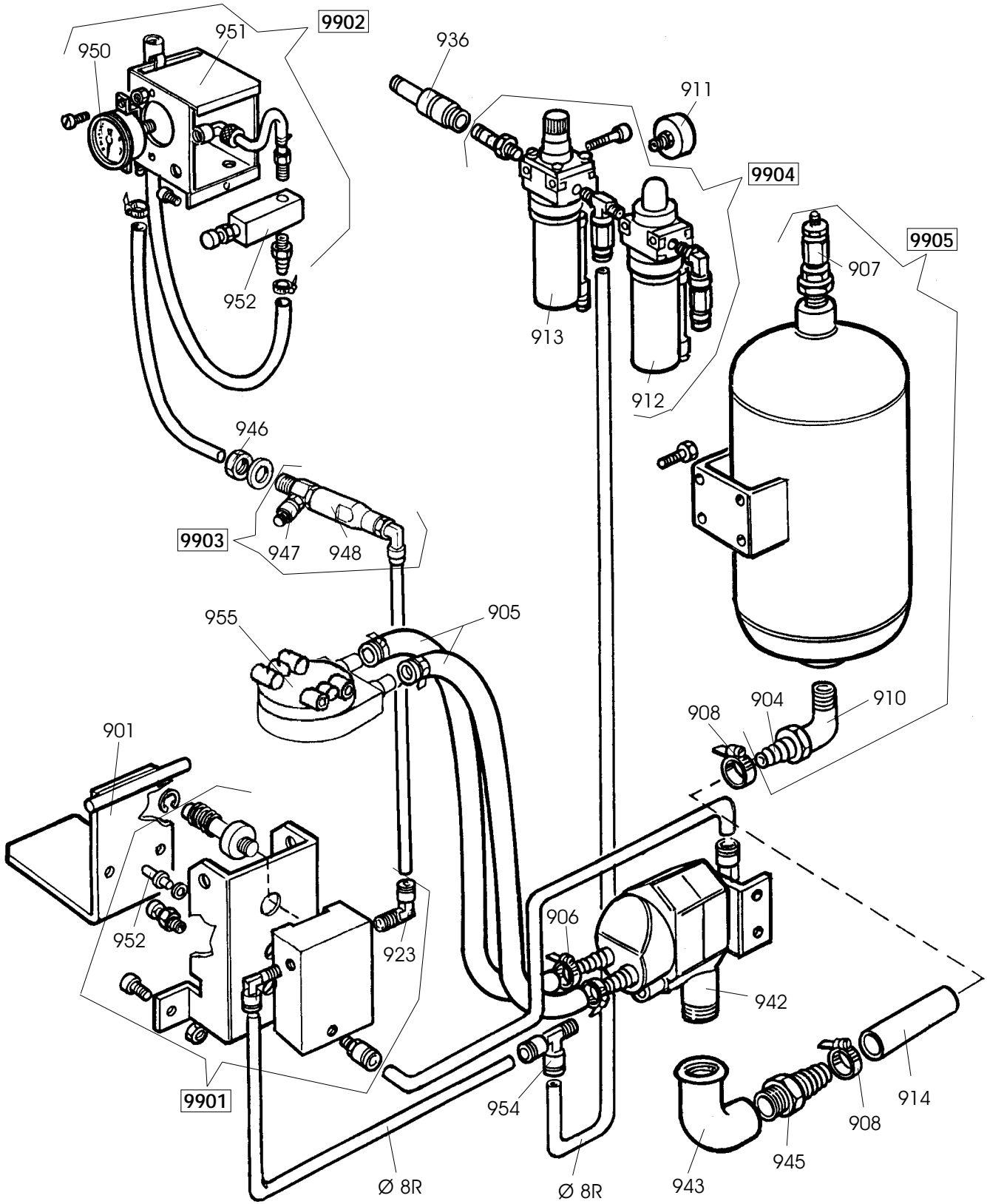


	<b>ARTIGLIO BASIC</b>	<b>Fig. D</b>	<b>05 / 99</b>	<b>Autocentrante</b>
--	-----------------------	---------------	----------------	----------------------

0401	900323363	RONDELLA	WASHER	UNTERLEGSCHIEBE	RONDELLE
0402	900426514	TAPPO	PLUG	STOPFEN	BOUCHON
0413	900238548	KIT GUARNIZIONI	SEALS KIT	DICHTUNGSATZ	KIT JOINTS
0417	900601216	VITE	SCREW	SCHRAUBE	VIS

<b>9404</b>	<b>900253801</b>	<b>AUTOCENTRANTE T.I.</b>	<b>TURNTABLE T.I.</b>	<b>SPANNFUTTER T.I.</b>	<b>PLATEAU AUTOC. T.I.</b>
0410	900437964	RONDELLA	WASHER	UNTERLEGSCHIEBE	RONDELLE
0421	900253758	PIATTO	PLATE	Teller	PLAT
0422	900339146	PUNTE DI BLOCC.	LOCKING PEAK	FESTKLEMMENSPIITZE	POINTE DE BLOCAGE
0423	900253813	APPOGGIO T.I.	RIM SUPPORT T.I.	STUETZE T.I.	APPUI T.I.
0424	900441100	RACCORDO	CONNECTOR	ANSCHLUSS	RACCORD
0425	900602199	VITE	SCREW	SCHRAUBE	VIS
0426	900253776	FLANGIA	FLANGE	FLANSCH	FLASQUE
0427	900601059	SPINA	PLUG	STECKER	FICHE
0428	900353803	BOCCOLA	BUSHING	LAGER	DOUILLE
0429	900353804	PERNO	PIN	ZAPFEN	PIVOT
0430	900354638	COPRIASOLA	COVER	LOCHSTOPFEN	BOUCHON
0431	900601276	DADO	NUT	MUTTER	ECROU
0432	900253812	APPOGGIO T.I.	RIM SUPPORT T.I.	STUETZE T.I.	APPUI T.I.
0433	900354308	TUBO	PIPE	ROHR	TUYAU
0434	900455082	RONDELLA	WASHER	UNTERLEGSCHIEBE	RONDELLE

<b>9405</b>	<b>900253784</b>	<b>CILINDRO DESTRO</b>	<b>CYLINDER RIGHT</b>	<b>ZYLINDER</b>	<b>CYLINDRE</b>
<b>9405</b>	<b>900253783</b>	<b>CILINDRO SINISTRO</b>	<b>CYLINDER LEFT</b>	<b>ZYLINDER</b>	<b>CYLINDRE</b>
0435	900441568	RACCORDO	CONNECTOR	ANSCHLUSS	RACCORD
0851	900443367	RACCORDO	CONNECTOR	ANSCHLUSS	RACCORD



		ARTIGLIO BASIC	Fig. E	03 / 98	Sistema T.I.
Ø8R	900704000	TUBO (m.)	PIPE (m.)	ROHR (m.)	TUYAU (m.)
0901	900238708	PEDALE	PEDAL	PEDAL	PEDALE
<b>9905</b>	<b>900240968</b>	<b>SERBATOIO</b>	<b>TANK</b>	<b>TANK</b>	<b>RESERVOIR</b>
0904	900337704	RACCORDO	CONNECTOR	ANSCHLUSS	RACCORD
0907	900435077	VALVOLA	VALVE	VENTIL	VANNE
0910	900438995	RACCORDO	CONNECTOR	ANSCHLUSS	RACCORD
0905	900340915	TUBO	PIPE	ROHR	TUYAU
0906	900430738	PROTEZIONE	SHIELD	ABDECKUNG	PROTECTION
0908	900437720	FASCETTA	STRAP	SCHLAUCHSCHELLE	COLLIER
0909	900438514	RACCORDO	CONNECTOR	ANSCHLUSS	RACCORD
0911	900434818	MANOMETRO	PRESSURE GAUGE	DRUCKMESSER	MANOMETRE
<b>9904</b>	<b>900441901</b>	<b>FILTRO</b>	<b>FILTER</b>	<b>FILTER</b>	<b>FILTRE</b>
0912	900439377	BICCHIERE	BOWL	GLAS	BOL
0913	900439376	BICCHIERE	BOWL	GLAS	BOL
0919	900338685	PERNO	PIN	ZAPFEN	PIVOT
0920	900425595	MOLLA	SPRING	FEDER	RESSORT
0921	900434921	VALVOLA	VALVE	VENTIL	VANNE
<b>9901</b>	<b>900240399</b>	<b>GRUPPO</b>	<b>ASSEMBLY</b>	<b>GRUPPE</b>	<b>GROUPE</b>
0923	900438673	RACCORDO	CONNECTOR	ANSCHLUSS	RACCORD
0952	900235463	VALVOLA	VALVE	VENTIL	VANNE
0933	900341717	TUBO	PIPE	ROHR	TUYAU
0939	900441899	GIUNTO	COUPLING	KUPPLUNG	ACCOUPLLEMENT
0940	900441901	FILTRO	FILTER	FILTER	FILTRE
0941	900338577	DISTANZIALE	SPACER	ABSTANDSSTUECK	ENTRETOISE
0942	900243203	VALVOLA	VALVE	VENTIL	VANNE
0943	900443199	RACCORDO	CONNECTOR	ANSCHLUSS	RACCORD
0946	900333524	DADO	NUT	MUTTER	ECROU
<b>9903</b>	<b>900246892</b>	<b>GRUPPO</b>	<b>ASSEMBLY</b>	<b>GRUPPE</b>	<b>GROUPE</b>
0947	900446937	VALVOLA	VALVE	VENTIL	VANNE
0948	900447291	VALVOLA	VALVE	VENTIL	VANNE
<b>9902</b>	<b>900236366</b>	<b>SCATOLA BAR/PSI</b>	<b>BOX</b>	<b>SCHACHTEL</b>	<b>BOITE</b>
0950	900436364	MANOMETRO	PRESS. GAUGE	DRUCKMESSER	MANOMETRE
0951	900235462	TUBO	PIPE	ROHR	TUYAU
0952	900235463	VALVOLA	VALVE	VENTIL	VANNE
<b>9902</b>	<b>900234176</b>	<b>SCATOLA BAR</b>	<b>BOX</b>	<b>SCHACHTEL</b>	<b>BOITE</b>
0950	900434175	MANOMETRO	PRESS. GAUGE	DRUCKMESSER	MANOMETRE
0951	900235462	TUBO	PIPE	ROHR	TUYAU
0952	900235463	VALVOLA	VALVE	VENTIL	VANNE
0954	900452876	RACCORDO	CONNECTOR	ANSCHLUSS	RACCORD
0955	900241841	RACCORDO	CONNECTOR	ANSCHLUSS	RACCORD



9950	900243359	CILINDRO	CYLINDER	ZYLINDER	CYLINDRE
1200	900443369	VALVOLA	VALVE	VENTIL	VANNE
1201	900442431	PRESSOSTATO	PRESSURE SWITCH	DRUCKSCHALTER	MAN.-CONT. PRESS.
1202	900443368	VALVOLA	VALVE	VENTIL	VANNE
1203	900421138	RACCORDO	CONNECTOR	ANSCHLUSS	RACCORD
1204	900442276	RACCORDO	CONNECTOR	ANSCHLUSS	RACCORD
1205	900444550	RACCORDO	CONNECTOR	ANSCHLUSS	RACCORD
1206	900443365	RACCORDO	CONNECTOR	ANSCHLUSS	RACCORD

9951	900244968	CILINDRO	CYLINDER	ZYLINDER	CYLINDRE
1207	900430020	RACCORDO	CONNECTOR	ANSCHLUSS	RACCORD
1231	900441609	RACCORDO	CONNECTOR	ANSCHLUSS	RACCORD

1204	900442276	RACCORDO	CONNECTOR	ANSCHLUSS	RACCORD
1210	900343720	PERNO	PIN	ZAPFEN	PIVOT
1212	900443161	VALVOLA	VALVE	VENTIL	VANNE
1215	900435103	NIPPLO	CONNECTION	NIPPEL	NIPPLE
1217	900442729	RACCORDO	CONNECTOR	ANSCHLUSS	RACCORD
1219	900442432	VALVOLA	VALVE	VENTIL	VANNE
1220	900442053	VALVOLA	VALVE	VENTIL	VANNE

9961	900240886	BLOCCHETTO	BLOCK	BLOCK	BLOC
0856	900440887	RACCORDO	CONNECTOR	ANSCHLUSS	RACCORD
1223	900443353	RACCORDO	CONNECTOR	ANSCHLUSS	RACCORD
1224	900441651	RACCORDO	CONNECTOR	ANSCHLUSS	RACCORD
1232	900446939	RACCORDO	CONNECTOR	ANSCHLUSS	RACCORD

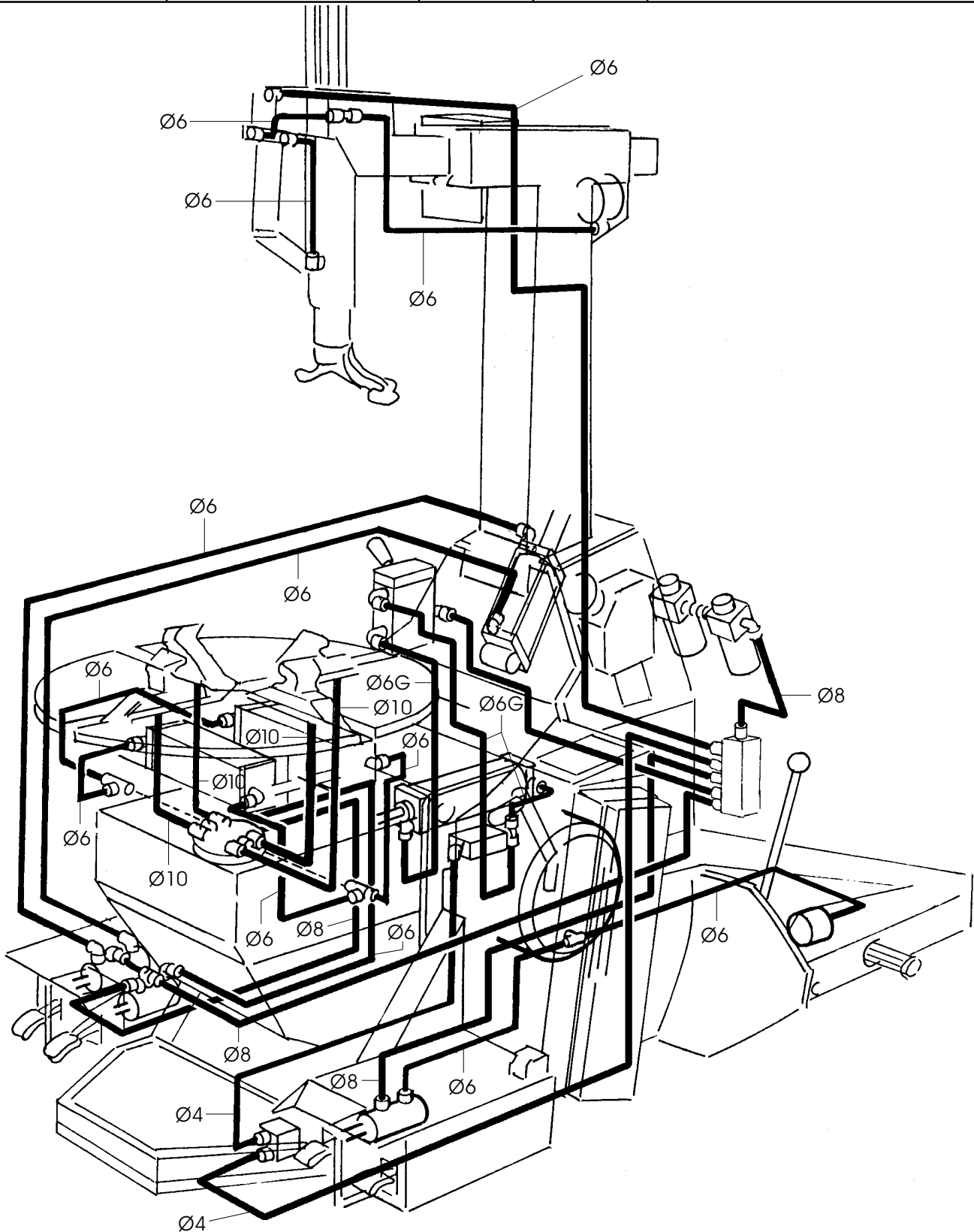
1225	900241484	KIT GUARNIZIONI	SEALS KIT	DICHTUNGSATZ	KIT JOINTS
------	-----------	-----------------	-----------	--------------	------------

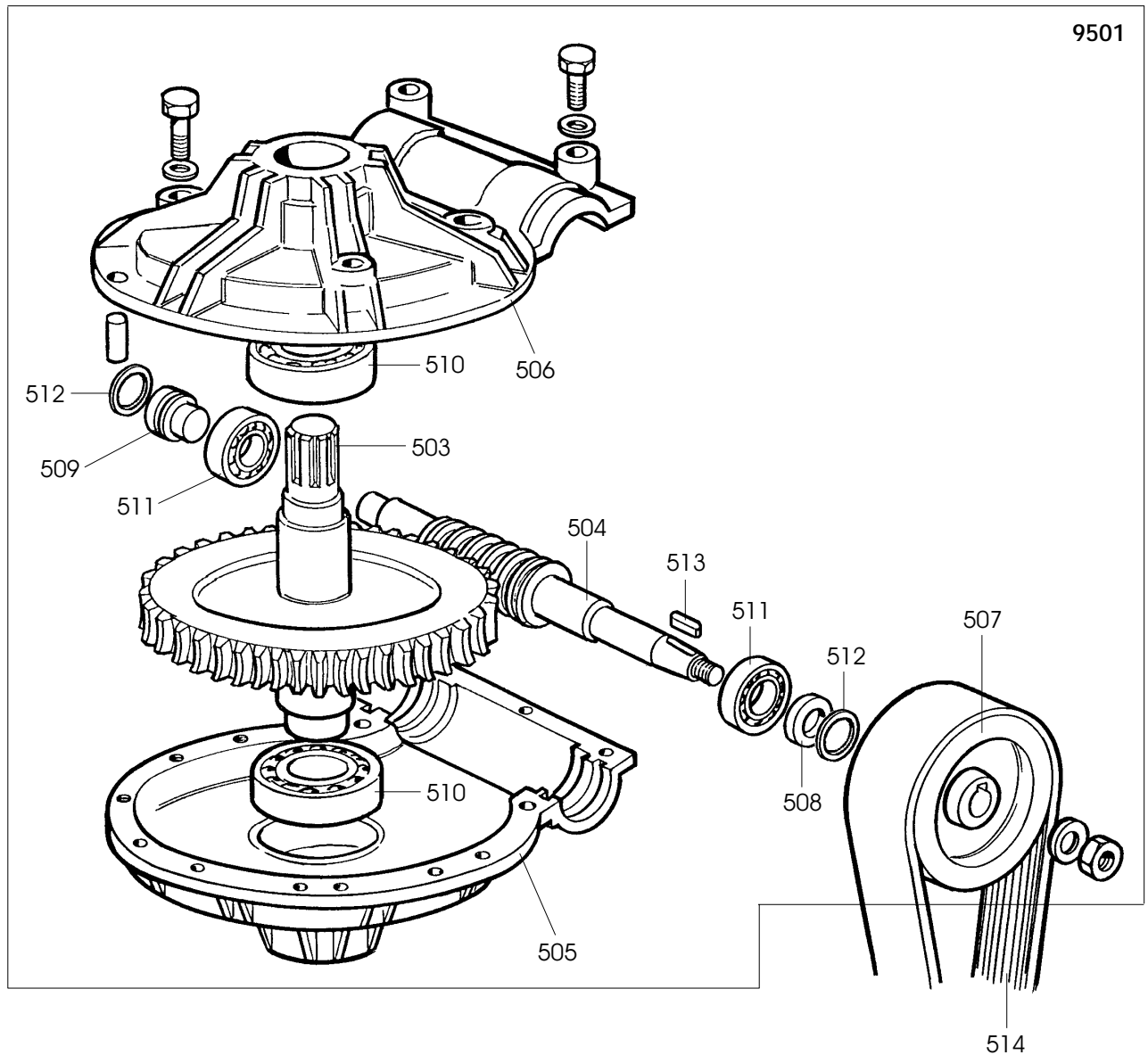
9952	900243420	VALVOLA	VALVE	VENTIL	VANNE
0720	900422682	SILENZIATORE	SILENCER	SCHALLDAEMPFER	SILENCIEUX
0851	900443367	RACCORDO	CONNECTOR	ANSCHLUSS	RACCORD
1227	900440585	MANOPOLA	KNOB	BALLENGRIFF	BOUTON
1228	900442097	VALVOLA	VALVE	VENTIL	VANNE

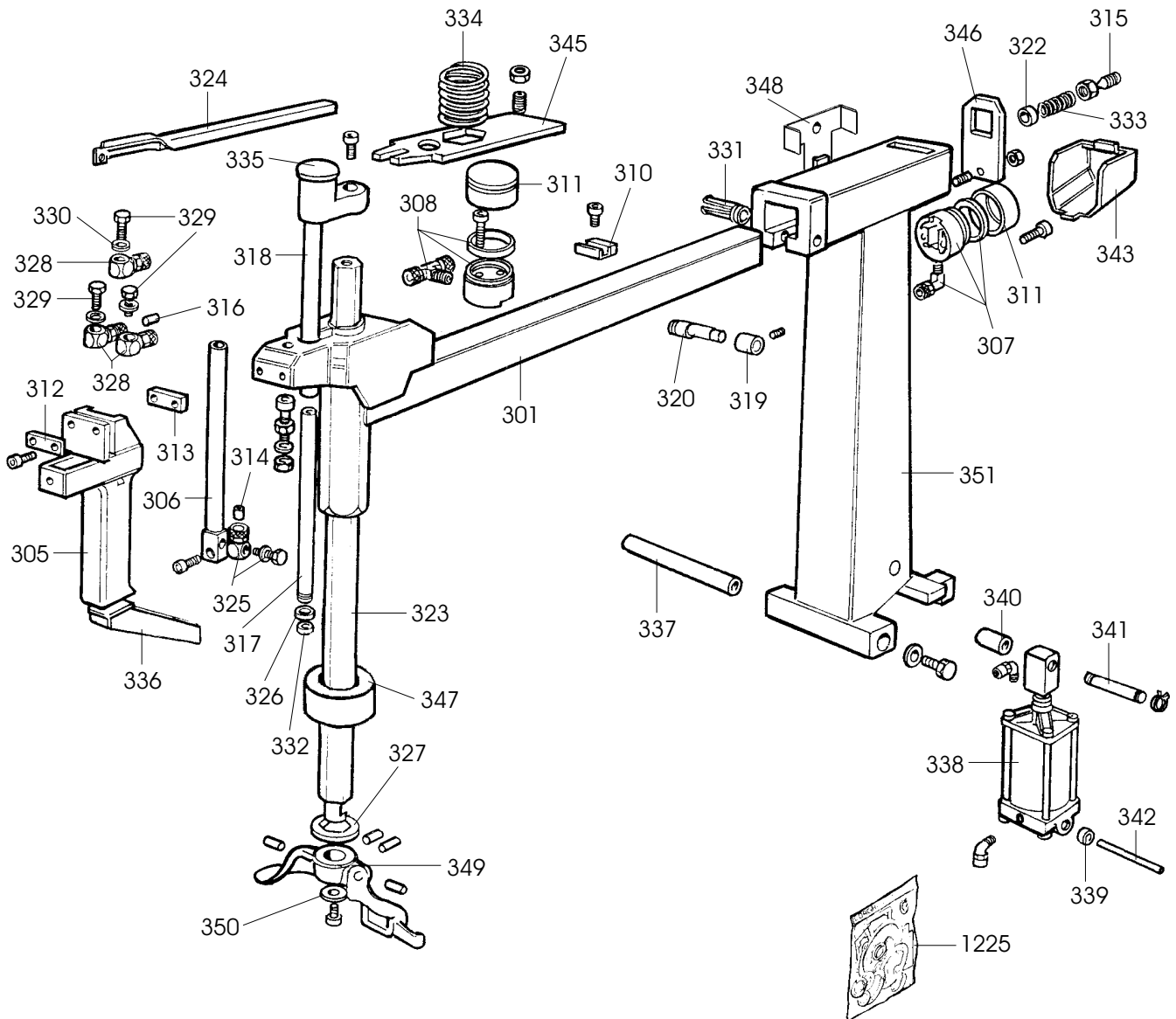
1230	900349119	PERNO	PIN	ZAPFEN	PIVOT
------	-----------	-------	-----	--------	-------



Ø4	900704035	TUBO (m.)	PIPE (m.)	ROHR (m.)	TUYAU (m.)
Ø6	900701684	TUBO (m.)	PIPE (m.)	ROHR (m.)	TUYAU (m.)
Ø6B	900704003	TUBO (m.)	PIPE (m.)	ROHR (m.)	TUYAU (m.)
Ø6G	900704036	TUBO (m.)	PIPE (m.)	ROHR (m.)	TUYAU (m.)
Ø8	900701683	TUBO (m.)	PIPE (m.)	ROHR (m.)	TUYAU (m.)
Ø8R	900704000	TUBO (m.)	PIPE (m.)	ROHR (m.)	TUYAU (m.)
Ø10	900701875	TUBO (m.)	PIPE (m.)	ROHR (m.)	TUYAU (m.)

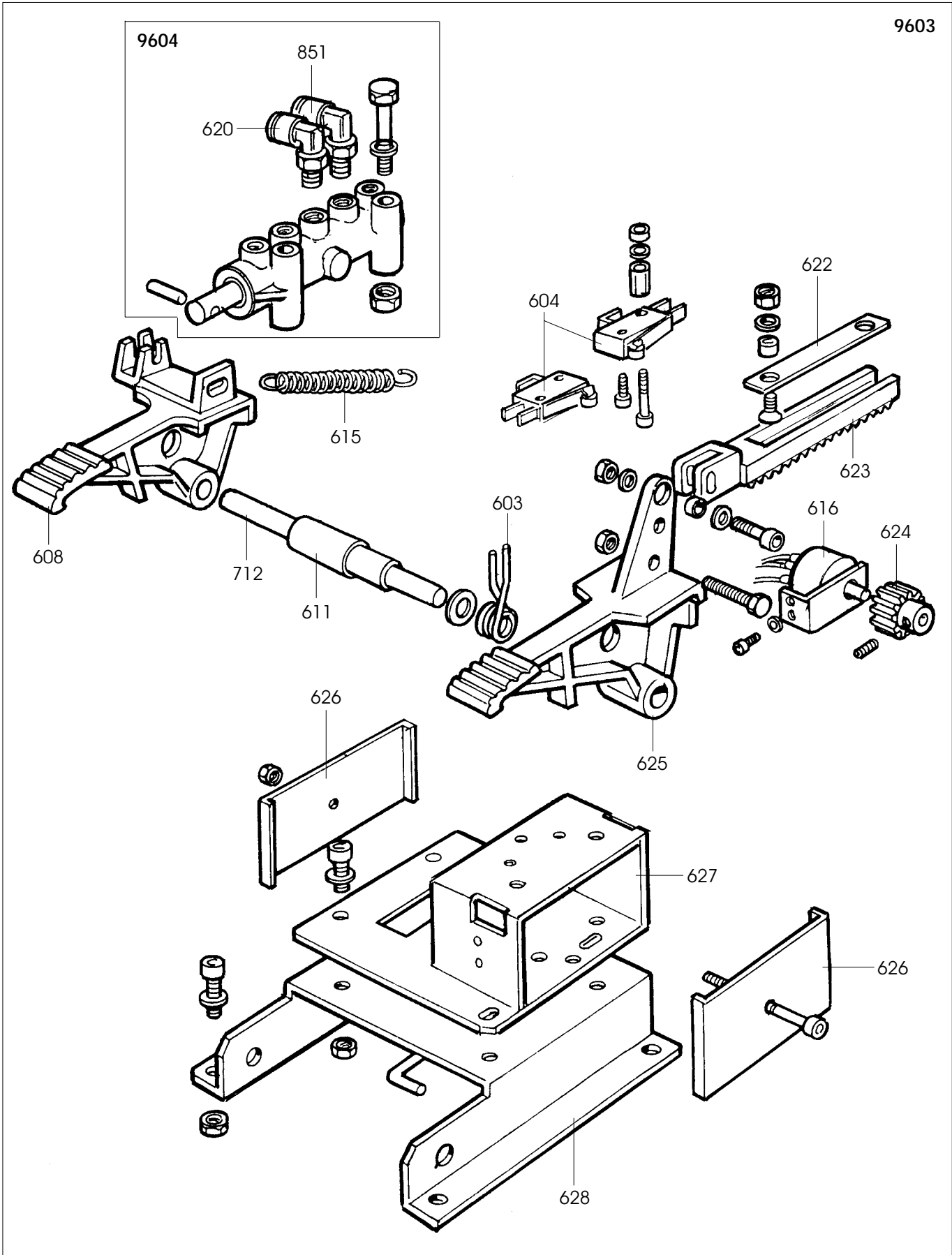


9501	900248905	RIDUTTORE	GEAR BOX	GETRIEBE	REDUCTEUR
0503	900239967	RUOTA	WHEEL	RAD	ROUE
0504	900232896	VITE	SCREW	SCHRAUBE	VIS
0505	900331364	SCATOLA	BOX	SCHACHTEL	BOITE
0506	900331366	SCATOLA	BOX	SCHACHTEL	BOITE
0507	900339870	PULEGGIA	PULLEY	RIEMENSCHLEIBE	POULIE
0508	900431369	GUARNIZIONE	SEAL	DICHTUNG	JOINT
0509	900437524	CAPPELOTTO	CAP NUT	ABSCHLUSSKAPPE	CAPUCHON
0510	900601220	CUSCINETTO	BEARING	LAGER	ROULEMENT
0511	900601221	CUSCINETTO	BEARING	LAGER	ROULEMENT
0512	900433248	GUARNIZIONE	SEAL	DICHTUNG	JOINT
0513	900600667	LINGUETTA	TANG	FEDERKEIL	LANGUETTE
0514	900440571	CINGHIA	BELT	RIEMEN	COURROIE





		ARTIGLIO BASIC	Fig. I	04/ 00	Braccio operante
0301	900240481	BRACCIO	ARM	ARM	BRAS
0305	900231744	RUBINETTO	COCK	HAHN	ROBINET
0306	900238856	SUPPORTO	SUPPORT	LAGER	SUPPORT
0307	900239805	PISTONE	PISTON	KOLBEN	PISTON
0308	900239806	PISTONE	PISTON	KOLBEN	PISTON
0310	900240516	PIASTRINA	PLATE	PLAETTCHEN	PLAQUETTE
0311	900326537	CILINDRO	CYLINDER	ZYLINDER	CYLINDRE
0312	900327283	PIASTRINA	PLATE	PLAETTCHEN	PLAQUETTE
0313	900327284	PIASTRINA	PLATE	PLAETTCHEN	PLAQUETTE
0314	900327753	STROZZATORE	THROTTLER	DROSSELKLAPPE	ETRANGLEUR
0315	900329204	VITE	SCREW	SCHRAUBE	VIS
0316	900331783	STROZZATORE	THROTTLER	DROSSELKLAPPE	ETRANGLEUR
0317	900338855	STELO	STEM	SCHAFT	TIGE
0318	900338858	TUBO	PIPE	ROHR	TUYAU
0319	900339782	RULLO	ROLLER	WALZE	ROULEAU
0320	900339786	PERNO	PIN	ZAPFEN	PIVOT
0322	900339803	BOCCOLA	BUSHING	LAGER	DOUILLE
0323	900348918	BRACCIO	ARM	ARM	BRAS
0324	900426763	GUIDA	GUIDE	FUEHRUNG	GLISSIERE
0325	900427290	RACCORDO	CONNECTOR	ANSCHLUSS	RACCORD
0326	900427299	GUARNIZIONE	SEAL	DICHTUNG	JOINT
0327	900428681	ANELLO	RING	RING	ANNEAU
0328	900428718	ANELLO	RING	RING	ANNEAU
0329	900428719	VITE	SCREW	SCHRAUBE	VIS
0330	900428720	RONDELLA	WASHER	UNTERLEGSCHIEBE	RONDELLE
0331	900431061	BOCCOLA	BUSHING	LAGER	DOUILLE
0332	900432090	ANELLO	RING	RING	ANNEAU
0333	900439787	MOLLA	SPRING	FEDER	RESSORT
0334	900440342	MOLLA	SPRING	FEDER	RESSORT
0335	900440428	POMOLO	KNOB	BALLENGRIFF	POMMEAU
0336	900440692	PROLUNGA	EXT. CORD	VERLAENGERUNG	RALLONGE
0337	900340373	PERNO	PIN	ZAPFEN	PIVOT
0338	900240156	CILINDRO	CYLINDER	ZYLINDER	CYLINDRE
0339	900440167	BOCCOLA	BUSHING	LAGER	DOUILLE
0340	900440179	BOCCOLA	BUSHING	LAGER	DOUILLE
0341	900339788	PERNO	PIN	ZAPFEN	PIVOT
0342	900340369	PERNO	PIN	ZAPFEN	PIVOT
0343	900426773	PROTEZIONE	SHIELD	ABDECKUNG	PROTECTION
0345	900340429	PIASTRA	SLAB	PLATTE	PLAQUE
0346	900336142	PIASTRA	SLAB	PLATTE	PLAQUE
0347	900348919	DISTANZIALE	SPACER	ABSTANDSSTUECK	ENTRETOISE
0348	900340775	SUPPORTO	SUPPORT	LAGER	SUPPORT
0349	900258458	TORRETTA	MOUNT/DEM. H.	DREHKOPF	TOURELLE
0350	900350194	RONDELLA	WASHER	UNTERLEGSCHIEBE	RONDELLE
0351	900242715	TESTATA	HEAD	KOPF	TETE
1225	900241965	KIT GUARNIZIONI	SEALS KIT	DICHTUNGSATZ	KIT JOINTS



9603	900244992	PEDALIERA	CONTROL PEDAL	PEDALERIE	GR.PEDALES
0603	900428682	MOLLA	SPRING	FEDER	RESSORT
0604	900440874	MICROINTERRUTT.	MICROSWITH	MIKROSCHALTER	MICROINTERR.
0608	900325032	PEDALE	PEDAL	PEDAL	PEDALE
0611	900340315	DISTANZIALE	SPACER	ABSTANDSSTUCK	ENTRETOISE
0615	900410628	MOLLA	SPRING	FEDER	RESSORT
0616	900420932	POTENZIOMETRO	POTENTIOMETER	POTENTIOMETER	POTENTIOMETRE
0712	900340317	PERNO	PIN	ZAPFEN	PIVOT

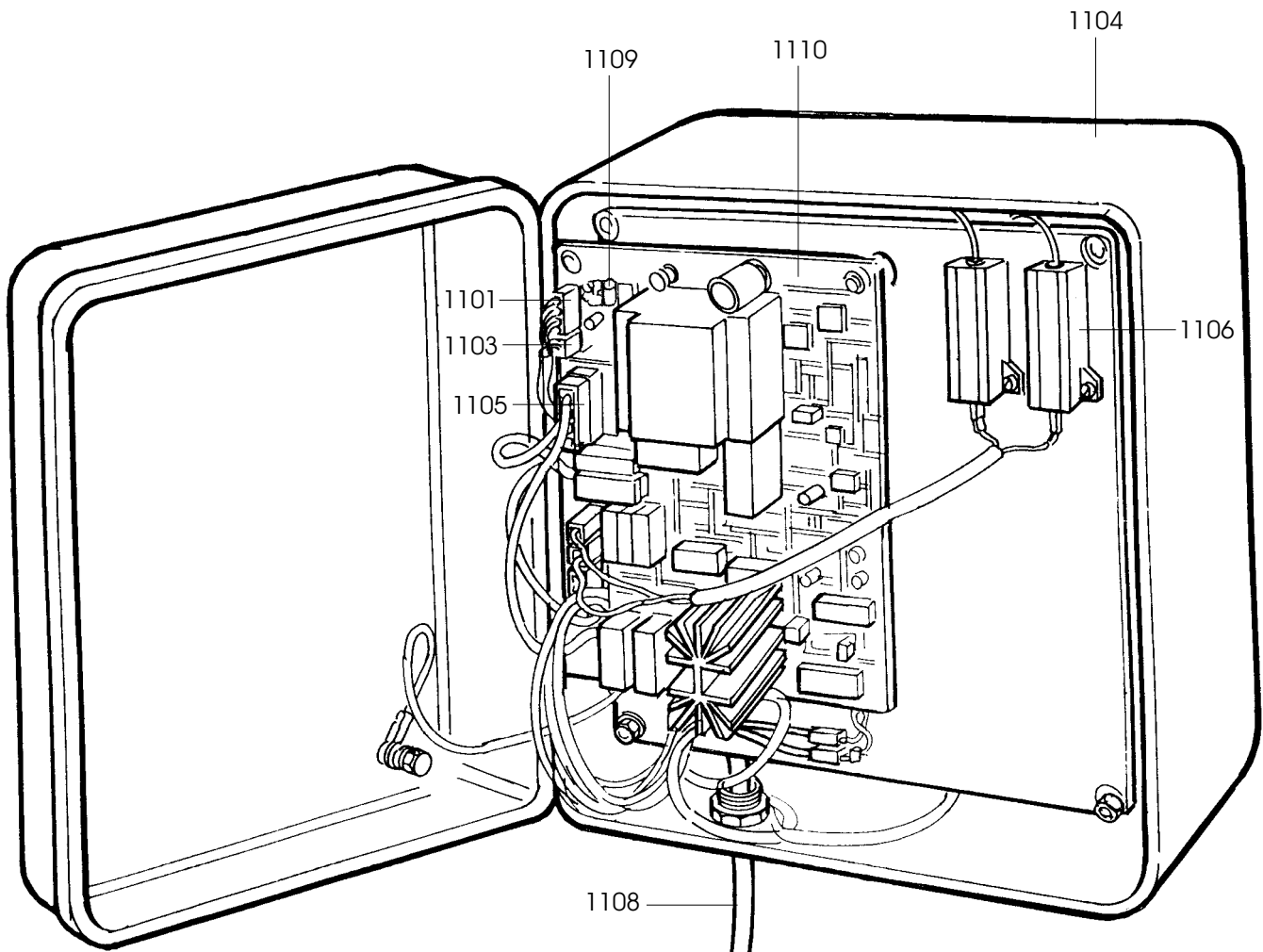
9604	900258438	RUBINETTO	COCK	HAHN	ROBINET
0620	900440870	RACCORDO	CONNECTOR	ANSCHLUSS	RACCORD
0851	900443367	RACCORDO	CONNECTOR	ANSCHLUSS	RACCORD

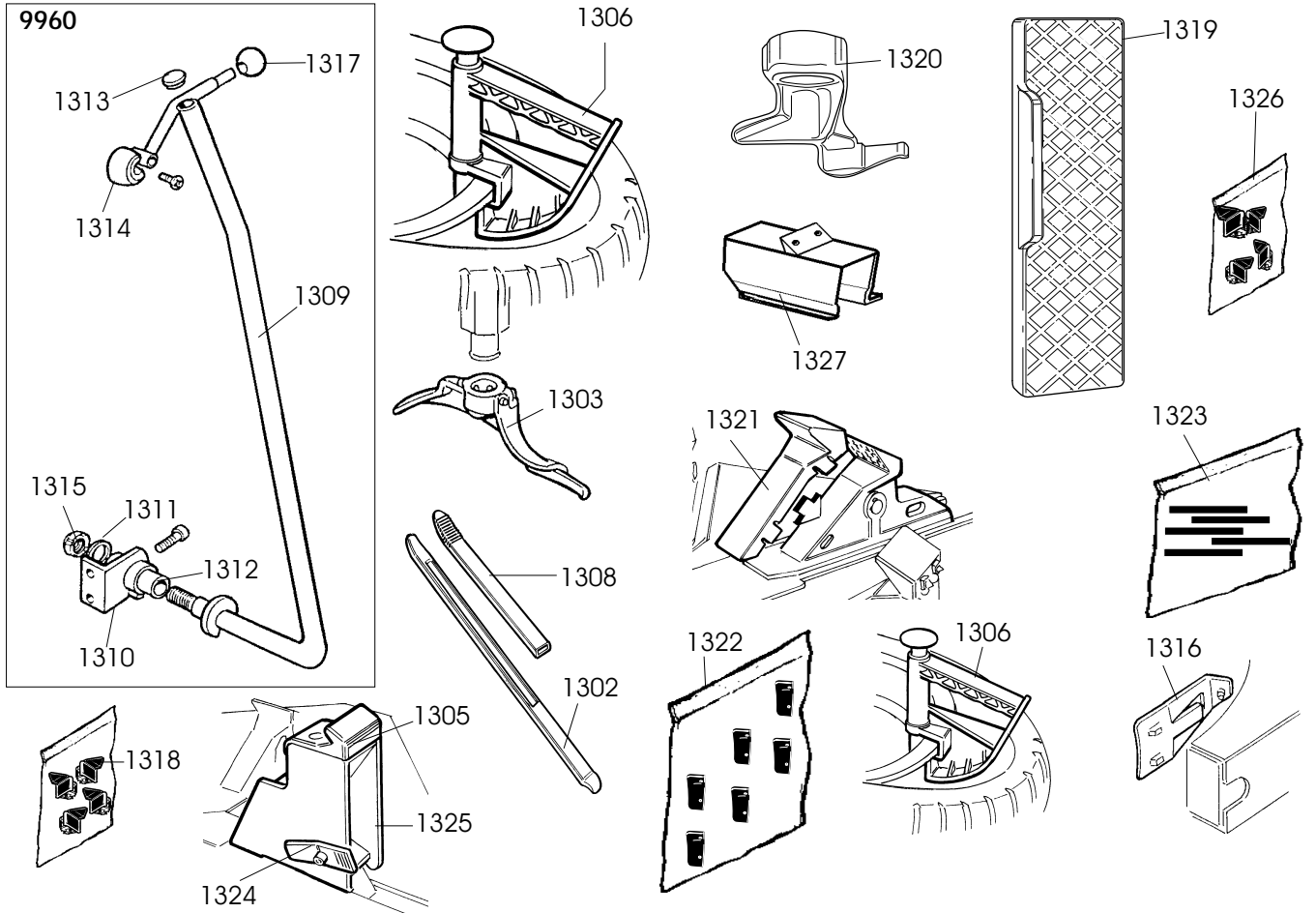
0622	900342874	GUIDA	GUIDE	FUEHRUNG	GLISSIERE
0623	900442873	CREMAGLIERA	RACK	ZAHNSTANGE	CREMAILLERE
0624	900441429	INGRANAGGIO	GEAR	ZAHNRADGETRIEBE	ENGRENAGE
0625	900325029	PEDALE	PEDAL	PEDAL	PEDALE
0626	900342871	COPERCHIO	LID	DECKEL	COUVERCLE
0627	900342872	SCATOLA	BOX	SCHACHTEL	BOITE
0628	900240300	SUPPORTO	SUPPORT	LAGER	SUPPORT



<b>9701</b>	<b>900240321</b>	<b>PEDALIERA</b>	<b>CONTROL PEDAL</b>	<b>PEDALERIE</b>	<b>GR.PEDALES</b>
Ø8	900701683	TUBO (m.)	PIPE (m.)	ROHR (m.)	TUYAU (m.)
0615	900410628	MOLLA	SPRING	FEDER	RESSORT
<b>9704</b>	<b>900258752</b>	<b>RUBINETTO</b>	<b>COCK</b>	<b>HAHN</b>	<b>ROBINET</b>
0702	900433675	REGOLATORE	REGULATOR	REGLER	REGULATEUR
<b>9604</b>	<b>900258438</b>	<b>RUBINETTO</b>	<b>COCK</b>	<b>HAHN</b>	<b>ROBINET</b>
0621	900440586	RACCORDO	CONNECTOR	ANSCHLUSS	RACCORD
0705	900440871	RACCORDO	CONNECTOR	ANSCHLUSS	RACCORD
0720	900422682	SILENZIATORE	SILENCER	SCHALLDAEMPFER	SILENCIEUX
0706	900325030	PEDALE	PEDAL	PEDAL	PEDALE
0707	900325031	PEDALE	PEDAL	PEDAL	PEDALE
0708	900331448	ANGOLARE	ANGLE BAR	WINKELPROFIL	BARRE ANGULAIRE
0709	900329057	ANGOLARE	ANGLE BAR	WINKELPROFIL	BARRE ANGULAIRE
0710	900340299	SUPPORTO	SUPPORT	LAGER	SUPPORT
0711	900340313	DISTANZIALE	SPACER	ABSTANDSSTUECK	ENTRETOISE
0712	900340317	PERNO	PIN	ZAPFEN	PIVOT
0713	900340352	BALESTRA	LEAF SPRING	BLATTFEDER	RESSORT A LAMES
0714	900340353	BALESTRA	LEAF SPRING	BLATTFEDER	RESSORT A LAMES
0716	900425014	BIELLA	TRACE	PLEUELSTANGE	BIELLE
0717	900425020	CAMMA	CAM	NOCKEN	CAME
0718	900419888	RONDELLA	WASHER	UNTERLEGSscheIBE	RONDELLE
0719	900340314	DISTANZIALE	SPACER	ABSTANDSSTUECK	ENTRETOISE



1101	900242217	CAVO	CABLE	KABEL	CABLE
1103	900243448	CAVO	CABLE	KABEL	CABLE
1104	900343270	SCATOLA	BOX	SCHACHTEL	BOITE
1105	900240679	CAVO	CABLE	KABEL	CABLE
1106	900241413	RESISTENZA	RESISTANCE	WIDERSTAND	RESISTANCE
1108	900249548	CAVO	CABLE	KABEL	CABLE
1109	900448666	FILTRO	FILTER	FILTER	FILTRE
1110	900458984	SCHEDA ELETTR.	P.C.BOARD	ELEKTR.PLATINE	FICHE ELECTR.



9960	801248941	LEVA	LEVER	HEBEL	LEVIER
1309	900240592	LEVA	LEVER	HEBEL	LEVIER
1310	900240597	SUPPORTO	SUPPORT	LAGER	SUPPORT
1311	900341571	RONDELLA	WASHER	UNTERLEGSCHIEBE	RONDELLE
1312	900424142	BOCCOLA	BUSHING	LAGER	DOUILLE
1313	900424944	TAPPO	PLUG	STOPFEN	BOUCHON
1314	900440600	TESTINA	HEAD	KOPF	TETE
1315	900440946	GHIERA	NUT	NUTMUTTER	BAGUE
1317	900423889	POMOLO	KNOB	BALLENGRIFF	POMMEAU

1302	900444238	LEVA	LEVER	HEBEL	LEVIER
1303	900228563	TORRETTA	HEAD	DREHKOPF	TOUREL
1305	900435202	CUNEO	WEDGE	KEIL	COIN
1306	801435685	PINZA	PLIERS	ZANGE	PINCE
1308	801246241	PROTEZIONE	SHIELD	ABDECKUNG	PROTECTION
1316	801260402	STALLONATORE	BEAD BREAKER	WULSTABDRUECKER	DEBALLONEUR
1318	801254342	PROTEZIONE	SHIELD	ABDECKUNG	PROTECTION
1319	801458663	PROTEZIONE	SHIELD	ABDECKUNG	PROTECTION
1320	801252083	KIT TORRETTA 8"	HEAD KIT 8"	DREHKOPF KIT 8"	TOUREL KIT 8"
1321	801254343	PROTEZIONE	SHIELD	ABDECKUNG	PROTECTION
1322	801258383	PROTEZIONE	SHIELD	ABDECKUNG	PROTECTION
1323	801258898	INSERTO	INSERT	EINLAGE	INSERT
1324	900426746	CRICCHETTO	CRICK	SPERRKLINKE	CLIQUET
1325	801252087	ATTACCO	ADAPTOR	HALTERUNG	ATTAQUE
1326	801254341	INSERTO	INSERT	EINLAGE	INSERT
1327	801258650	ATTACCO	ADAPTOR	HALTERUNG	ATTAQUE

Il disegno è realizzato con tutti i particolari ma solo quelli codificati sono forniti come ricambi. L'Azienda si riserva la facoltà di apportare modifiche senza preavviso.



S.S. 468 n°9 - 42015 Correggio (RE) ITALY  
Tel. ++39 0522 639111 - Fax ++39 0522 639150  
[www.corghi.com](http://www.corghi.com) - [info@corghi.com](mailto:info@corghi.com)

The drawing shows all parts but only the coded parts are supplied as spares. The Company reserves the right to make modifications without prior notice.