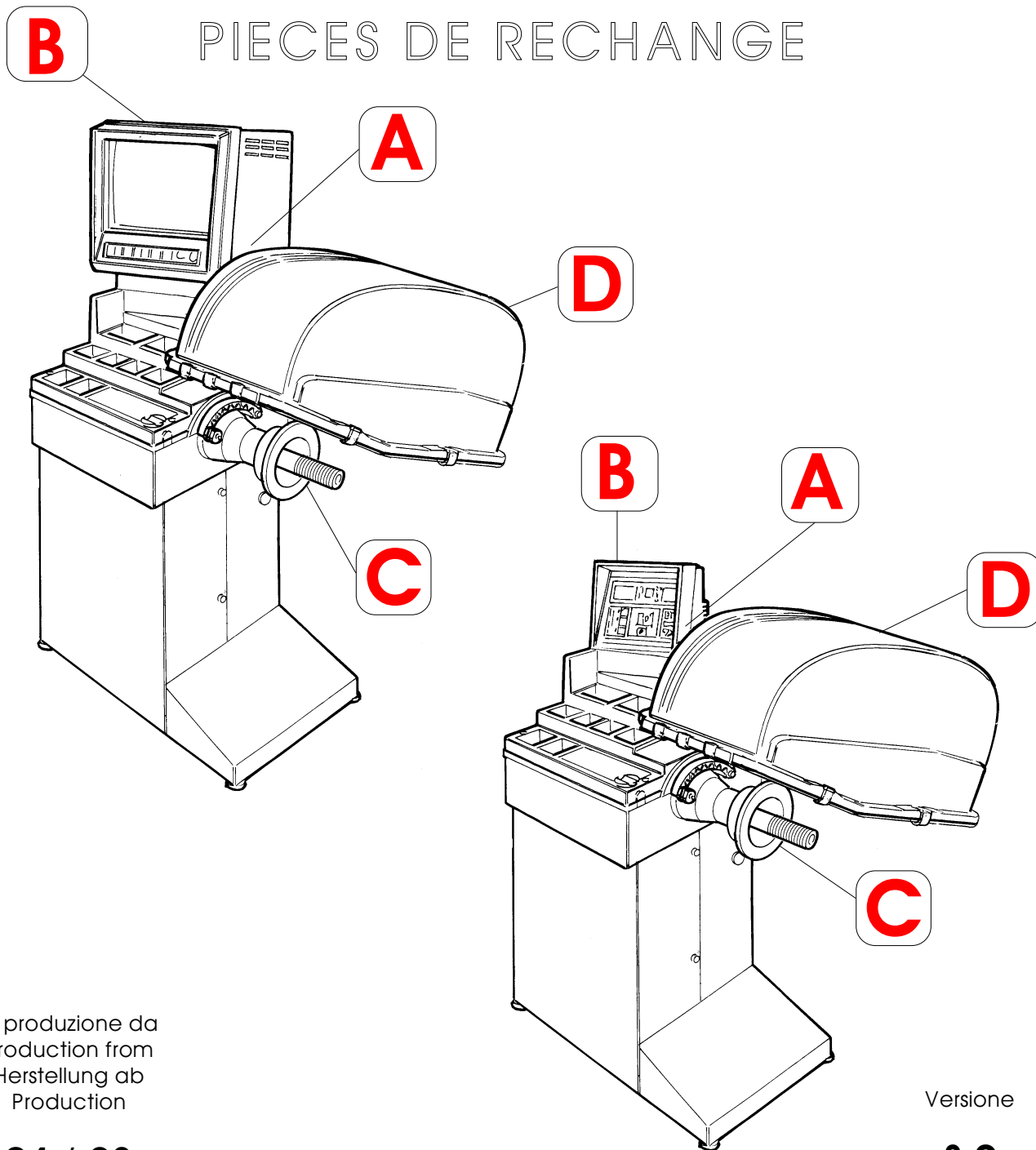


Questo libretto non autorizza l'utente ad intervenire sulle macchine ad esclusione di quanto esplicitamente descritto nel Manuale d'uso, ma consente all'utente di fornire informazioni precise all'Assistenza tecnica, al fine di ridurre i tempi di intervento.

EM 7070 EM 7040

The "Spare parts" booklet does not authorize the user to carry out work on the machine unless expressly specified in the instruction manual, but does enable him to provide accurate information to the assistance service in order to reduce downtime.

PEZZI DI RICAMBIO SPARE PARTS LIST ERSATZTEILLISTE PIECES DE RECHANGE



In produzione da
Production from
Herstellung ab
Production

04 / 98

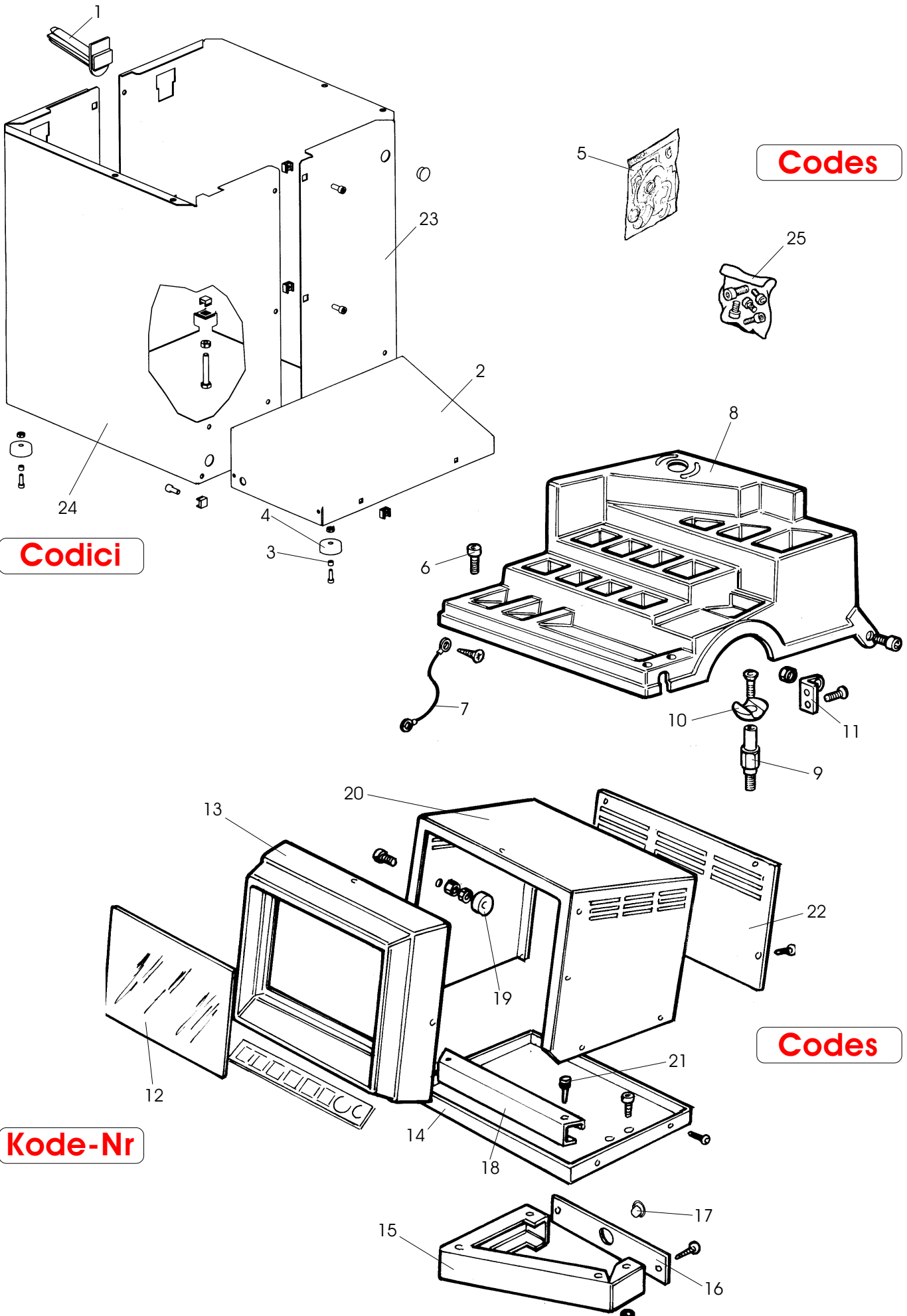
Versione

3.0

Der Katalog Ersatzteile stellt keine Genehmigung zu eigenmächtigen Eingriffen dar (mit Ausnahme jener im Handbuch beschriebenen), sondern er soll den Anwender in die Lage versetzen, dem technischen Service präzise Informationen zu liefern, um die Reparaturzeiten zu verkürzen.



Le livret "Pièces de rechange", n'autorise pas l'utilisateur à intervenir sur les machines, sauf pour tout ce qui est clairement décrit dans le manuel d'utilisation, mais lui permet de fournir des informations précises à l'assistance technique, afin de diminuer les délais d'intervention.




Codes

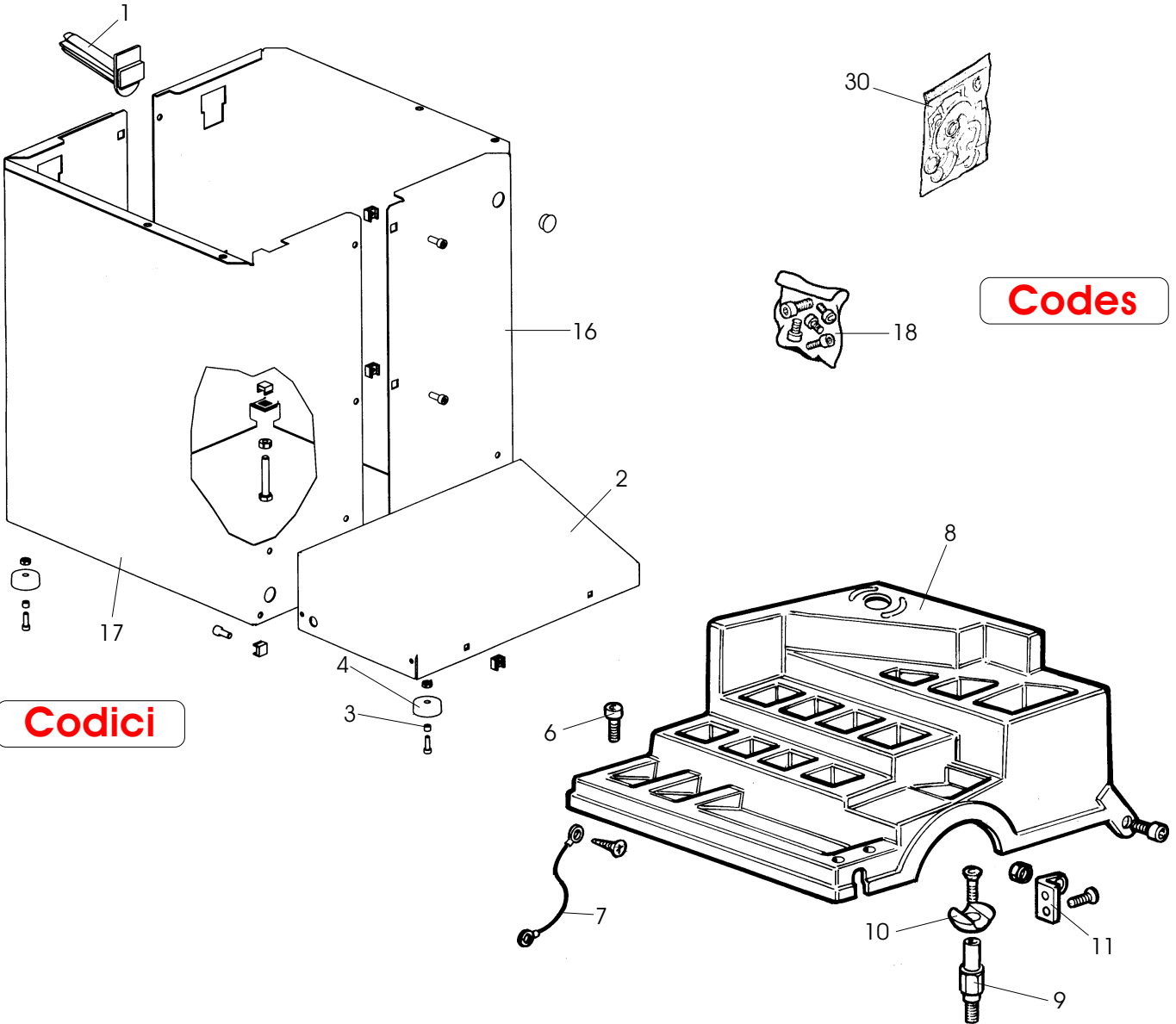
Codici

Codes

Kode-Nr

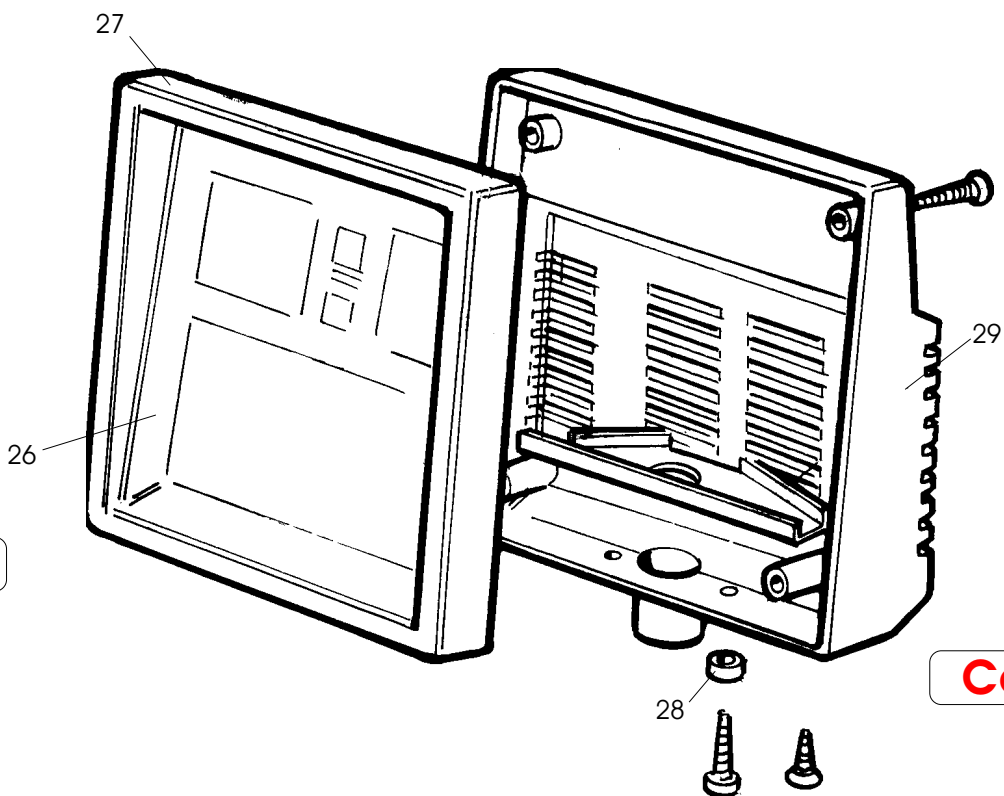
| | | | | |
|--|----------------|---------------|-----------------|-------------------|
|  | EM 7070 | Fig. A | 04b / 96 | Comlessivo |
|--|----------------|---------------|-----------------|-------------------|

| | | | | | |
|------|-----------|----------------------|-----------------|-----------------------|---------------------|
| 0001 | 900438319 | SUPPORTO | SUPPORT | LAGER | SUPPORT |
| 0002 | 900349311 | PIEDE | FOOT | FUSS | PIED |
| 0003 | 900344039 | DISTANZIALE | SPACER | ABSTANDSSTUECK | ENTRETOISE |
| 0004 | 900427291 | PIEDE | FOOT | FUSS | PIED |
| 0005 | 900249918 | KIT TRASF. | TRANSFORM. KIT | VERWANDLUNGSATZ | KIT TRANSFORMATION |
| 0006 | 900339012 | VITE | SCREW | SCHRAUBE | VIS |
| 0007 | 900449840 | FASCETTA | STRAP | SCHLAUCHSCHELLE | COLLIER |
| 0008 | 900438261 | COPERCHIO | LID | DECKEL | COUVERCLE |
| 0009 | 900349349 | SUPPORTO | SUPPORT | LAGER | SUPPORT |
| 0010 | 900336581 | INCUDINE | ANVIL | AMBOSS | ENCLUME |
| 0011 | 900338716 | SUPPORTO SX | SUPPORT left | LAGER | SUPPORT |
| 0011 | 900338729 | SUPPORTO DX | SUPPORT right | LAGER | SUPPORT |
| 0012 | 900440426 | SCHERMO | PROTECTION | SCHUTZSCHIRM | PROTECTION |
| 0013 | 900441619 | FRONTALE | FRONT PANEL | STIRNBAND | FRONTAL |
| 0014 | 900341392 | APPOGGIO | RIM SUPPORT | STUETZE | APPUI |
| 0015 | 900341561 | SUPPORTO | SUPPORT | LAGER | SUPPORT |
| 0016 | 900341562 | CARTER | CASING | GEHAUSE | CARTER |
| 0017 | 900439006 | TAPPO | PLUG | STOPFEN | BOUCHON |
| 0018 | 900348195 | DISTANZIALE | SPACER | ABSTANDSSTUECK | ENTRETOISE |
| 0019 | 900441675 | ANTIVIBRANTE | VIBRATION DAM. | SCHWINGUNGSDAEM. | ANTI-VIBRATION |
| 0020 | 900348193 | PROTEZIONE | SHIELD | ABDECKUNG | PROTECTION |
| 0021 | 950401530 | PROTEZIONE | SHIELD | ABDECKUNG | PROTECTION |
| 0022 | 900348194 | CARTER | CASING | GEHAUSE | CARTER |
| 0023 | 900349308 | COFANO post. | Rear HOOD | HAUBE | COFFRE |
| 0024 | 900349307 | COFANO ant. | Front HOOD | HAUBE | COFFRE |
| 0025 | 900249083 | Kit fissaggio cofano | HOOD fixing kit | HAUBE befestigung kit | Kit fixation COFFRE |



Codici

Codes



Kode-Nr

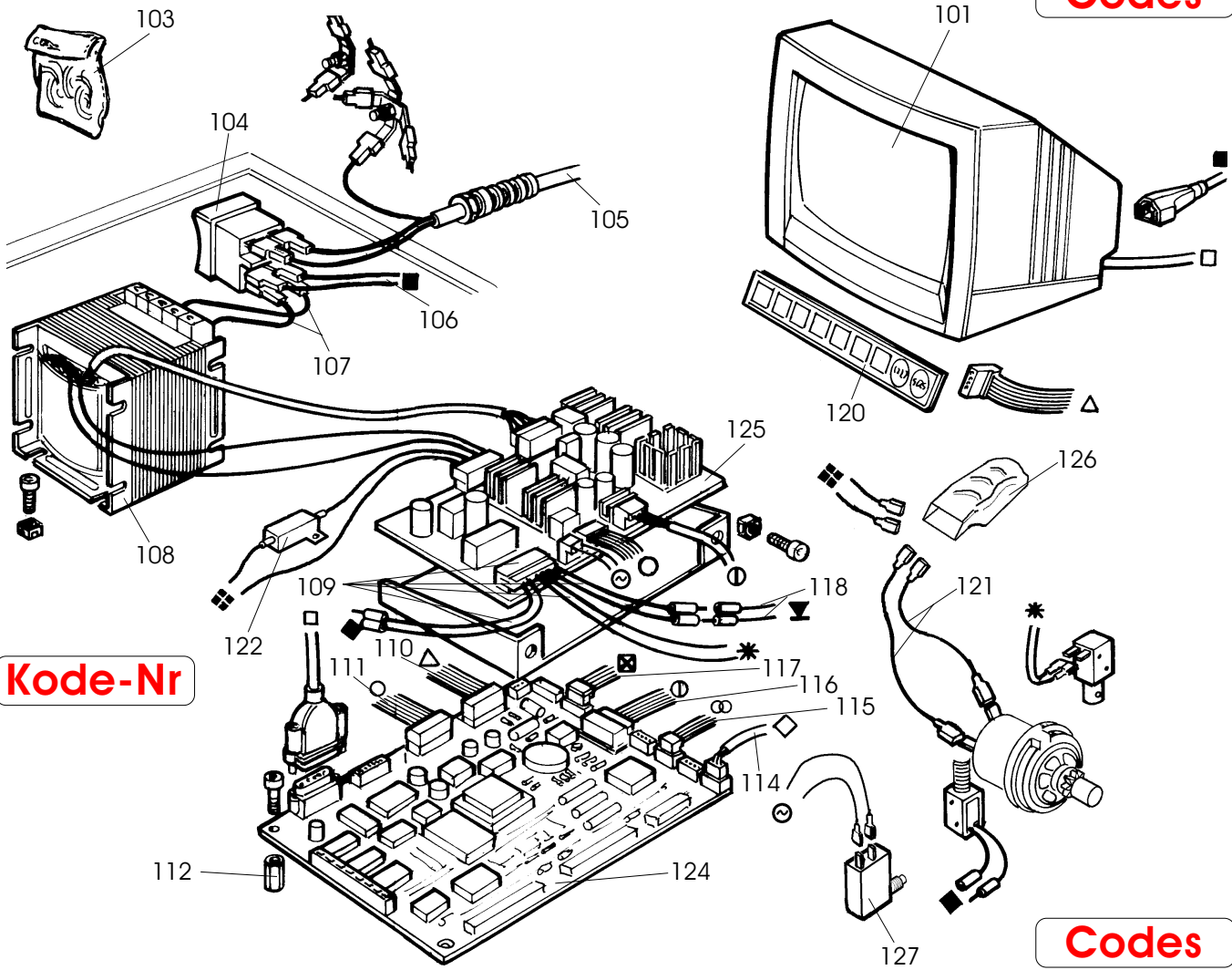
Codes

| | | | | |
|--|----------------|---------------|-----------------|--------------------|
|  CORCHI | EM 7040 | Fig. A | 04b / 96 | Compressivo |
|--|----------------|---------------|-----------------|--------------------|

| | | | | | |
|------|-----------|----------------------|-----------------|-----------------------|---------------------|
| 0001 | 900438319 | SUPPORTO | SUPPORT | LAGER | SUPPORT |
| 0002 | 900349311 | PIEDE | FOOT | FUSS | PIED |
| 0003 | 900344039 | DISTANZIALE | SPACER | ABSTANDSSTUECK | ENTRETOISE |
| 0004 | 900427291 | PIEDE | FOOT | FUSS | PIED |
| 0006 | 900339012 | VITE | SCREW | SCHRAUBE | VIS |
| 0007 | 900449840 | FASCETTA | STRAP | SCHLAUCHSCHELLE | COLLIER |
| 0008 | 900438261 | COPERCHIO | LID | DECKEL | COUVERCLE |
| 0009 | 900349349 | SUPPORTO | SUPPORT | LAGER | SUPPORT |
| 0010 | 900336581 | INCUDINE | ANVIL | AMBOSS | ENCLUME |
| 0011 | 900338729 | SUPPORTO DX | SUPPORT DX | LAGER DX | SUPPORT DX |
| 0011 | 900338716 | SUPPORTO SX | SUPPORT SX | LAGER SX | SUPPORT SX |
| 0016 | 900349308 | COFANO post. | Rear HOOD | HAUBE | COFFRE |
| 0017 | 900349307 | COFANO ant. | Front HOOD | HAUBE | COFFRE |
| 0018 | 900249083 | Kit fissaggio COFANO | HOOD fixing kit | HAUBE befestigung kit | Kit fixation COFFRE |
| 0026 | 900449841 | TARGHETTA | DATA PLATE | TYPENSCHILD | PLAQUETTE |
| 0027 | 900438262 | FRONTALE | FRONT PANEL | STIRNBAND | FRONTAL |
| 0028 | 900438353 | RONDELLA | WASHER | UNTERLEGSCHEIBE | RONDELLE |
| 0029 | 900438263 | COPERCHIO | LID | DECKEL | COUVERCLE |
| 0030 | 900249922 | KIT TRASFORMAZ. | TRANSFORM. KIT | VERWANDLUNGSATZ | KIT TRANSFORMATION |

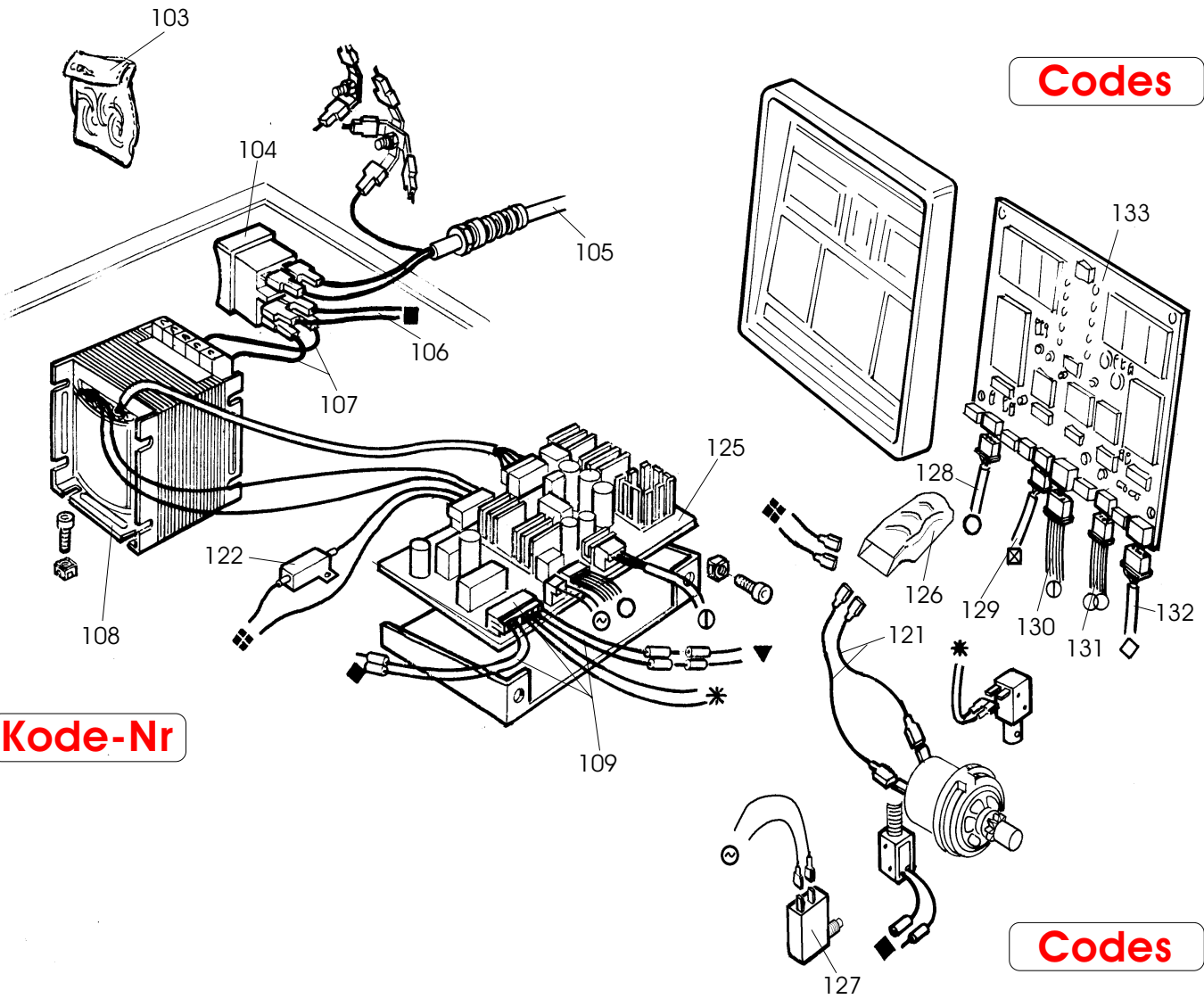
Codici

Codes



| | | | | | |
|------|-----------|-------------------|------------------|---------------------|---------------------|
| 0101 | 900448008 | MONITOR | MONITOR | MONITOR | MONITEUR |
| 0103 | 950232942 | SACCHETTO 3.15A T | BAG 3.15A T | BEUTEL 3.15A T | SACHET 3.15A T |
| 0103 | 900218079 | SACCHETTO 3.15A | BAG 3.15A | BEUTEL 3.15A | SACHET 3.15A |
| 0103 | 950229690 | SACCHETTO 0.5A | BAG 0.5A | BEUTEL 0.5A | SACHET 0.5A |
| 0104 | 950433848 | INTERRUTTORE | SWITCH | SCHALTER | INTERRUPTEUR |
| 0105 | 900235392 | CAVO | CABLE | KABEL | CABLE |
| 0106 | 900241450 | CAVO 230V | CABLE 230V | KABEL 230V | CABLE 230V |
| 0106 | 900241674 | CAVO 100-115V | CABLE 100-115V | KABEL 100-115V | CABLE 100-115V |
| 0107 | 900250323 | CAVO | CABLE | KABEL | CABLE |
| 0108 | 900238727 | TRASFORMAT. 230V | TRANSFOR. 230V | TRANSFORMATOR 230V | TRANSFORMAT. 230V |
| 0108 | 900241672 | TRASFOR. 100-115V | TRANS. 100-115V | TRANSFOR. 100-115V | TRANSFORM. 100-115V |
| 0109 | 900249314 | CAVO | CABLE | KABEL | CABLE |
| 0110 | 900449315 | CAVO FLAT | FLAT CABLE | FLACHER KABEL | CABLE FLAT |
| 0111 | 900449345 | CAVO FLAT | FLAT CABLE | FLACHER KABEL | CABLE FLAT |
| 0112 | 900321020 | DISTANZIALE | SPACER | ABSTANDSSTUECK | ENTRETOISE |
| 0114 | 900243591 | PICK-UP | PICK-UP | PICK-UP | PICK-UP |
| 0115 | 900449346 | CAVO FLAT | FLAT CABLE | FLACHER KABEL | CABLE FLAT |
| 0116 | 900449313 | CAVO | CABLE | KABEL | CABLE |
| 0117 | 900443613 | CAVO | CABLE | KABEL | CABLE |
| 0118 | 900241604 | CAVO | CABLE | KABEL | CABLE |
| 0120 | 900447546 | TASTIERA | KEYBOARD | TASTATUR | CLAVIER |
| 0121 | 900249344 | CAVO | CABLE | KABEL | CABLE |
| 0122 | 900542044 | RESIST. 50W-0.68Ω | RESISTANCE | WIDERSTAND | RESISTANCE |
| | | SCHEDA ELETTR. | P.C.BOARD | ELEKTR.PLATINE | FICHE ELECTR. |
| 0124 | 900254444 | MBC | MBC | MBC | MBC |
| 0124 | 900254446 | MBC+banca dati | MBC+data bank | MBC+Datenbank | MBC+banque donnes |
| 0124 | 900254449 | MBC Japan | MBC Japan | MBC Japan | MBC Japan |
| 0124 | 900254450 | MBC+b. dati Japan | MBC+d.b. Japan | MBC+Datenbank Japan | MBC+b. donnes Japan |
| 0124 | 900254447 | MBC 166 no split | MBC 166 no split | MBC 166 no split | MBC 166 no split |
| 0125 | 900454218 | SCHEDA ELETTR. | P.C.BOARD | ELEKTR.PLATINE | FICHE ELECTR. |
| 0126 | 900454272 | FILTRO RC | RC FILTER | FILTER RC | FILTRE RC |
| 0127 | 900453434 | MICROINTERRUTT. | MICROSWITCH | MIKROSCHALTER | MICROINTERRUPTEUR |

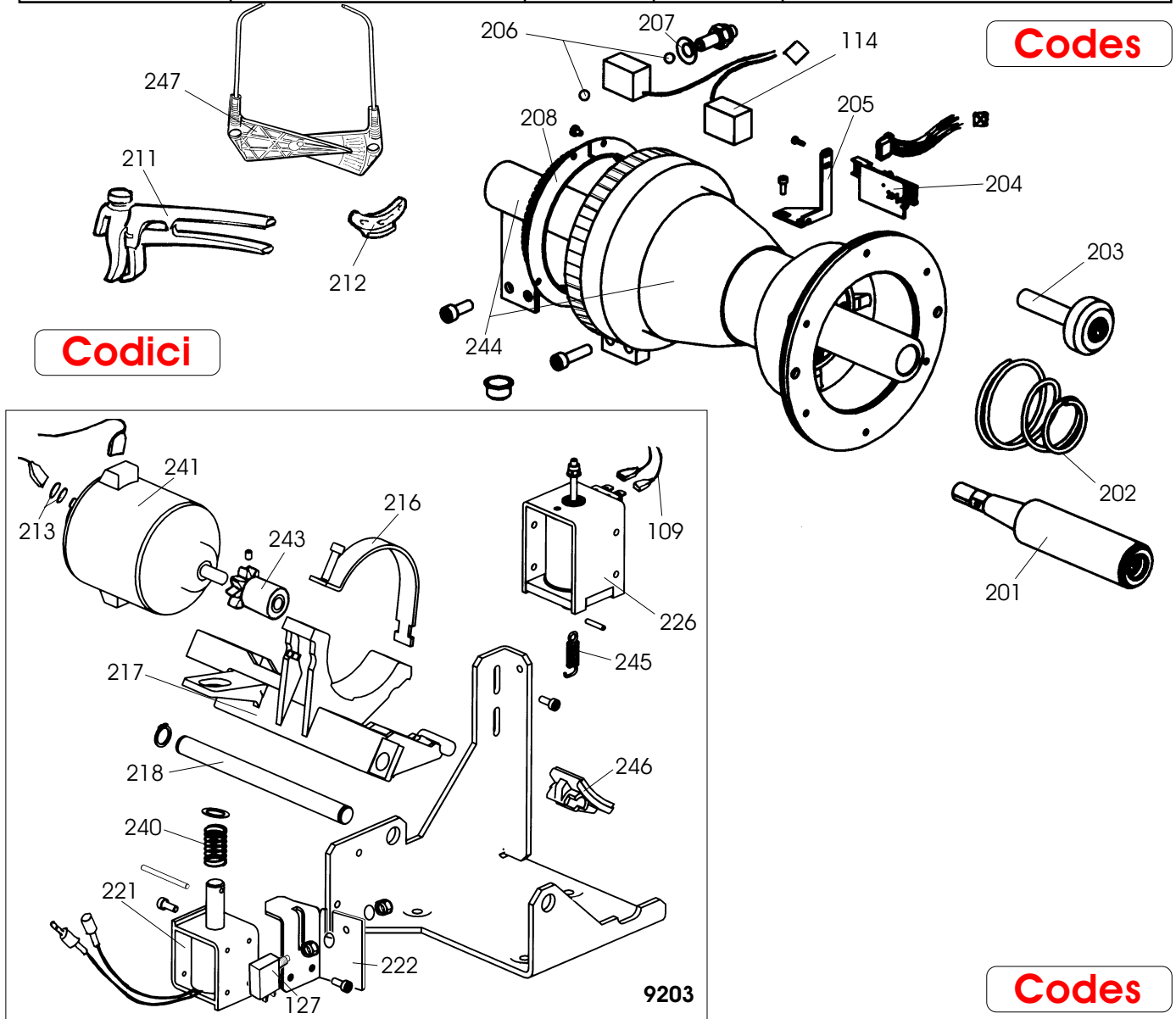
Codici



| | | | | | |
|------|-----------|-----------------------|--------------------|----------------------------|--------------------------|
| 0103 | 900218079 | SACCHETTO 3.15A | BAG 3.15A | BEUTEL 3.15A | SACHET 3.15A |
| 0103 | 950229690 | SACCHETTO 0.5A | BAG 0.5A | BEUTEL 0.5A | SACHET 0.5A |
| 0103 | 950232942 | SACCHETTO 3.15A T | BAG 3.15A T | BEUTEL 3.15A T | SACHET 3.15A T |
| 0104 | 950433848 | INTERRUTTORE | SWITCH | SCHALTER | INTERRUPTEUR |
| 0105 | 900235392 | CAVO | CABLE | KABEL | CABLE |
| 0106 | 900241450 | CAVO 220V | CABLE 220V | KABEL 220V | CABLE 220V |
| 0106 | 900241674 | CAVO 110V | CABLE 110V | KABEL 110V | CABLE 110V |
| 0107 | 900250323 | CAVO | CABLE | KABEL | CABLE |
| 0108 | 900238727 | TRASFORMAT. 220V | TRANSFOR. 220V | TRANSFORMAT. 220V | TRANSFORMAT. 220V |
| 0108 | 900241672 | TRASFORMAT. 110V | TRANSFOR. 110V | TRANSFORMAT. 110V | TRANSFORMAT. 110V |
| 0109 | 900249314 | CAVO | CABLE | KABEL | CABLE |
| 0121 | 900249344 | CAVO | CABLE | KABEL | CABLE |
| 0122 | 900452044 | RESISTENZA | RESISTANCE | WIDERSTAND | RESISTANCE |
| 0125 | 900454218 | SCHEDA ELETTR. | P.C. BOARD | ELEKTR. PLATINE | FICHE ELECTR. |
| 0126 | 900454272 | FILTRO RC | RC FILTER | FILTER RC | FILTRE RC |
| 0127 | 900453434 | MICROINTERRUTT. | MICROSWITCH | MIKROSCHALTER | MICROINTERRUPTEUR |
| 0128 | 900449318 | CAVO FLAT | FLAT CABLE | FLACHER KABEL | CABLE FLAT |
| 0129 | 900449319 | CAVO FLAT | FLAT CABLE | FLACHER KABEL | CABLE FLAT |
| 0130 | 900238726 | CAVO | CABLE | KABEL | CABLE |
| 0131 | 900449320 | CAVO FLAT | FLAT CABLE | FLACHER KABEL | CABLE FLAT |
| 0132 | 900239586 | CAVO | CABLE | KABEL | CABLE |
| 0133 | 900254453 | SCHEDA ELETTR. | P.C. BOARD | ELEKTR. PLATINE | FICHE ELECTR. |
| 0133 | 900254454 | SK ELETTR. "no split" | P.C. B. "no split" | ELEKTR. PLATINE "no split" | FICHE ELECTR. "no split" |

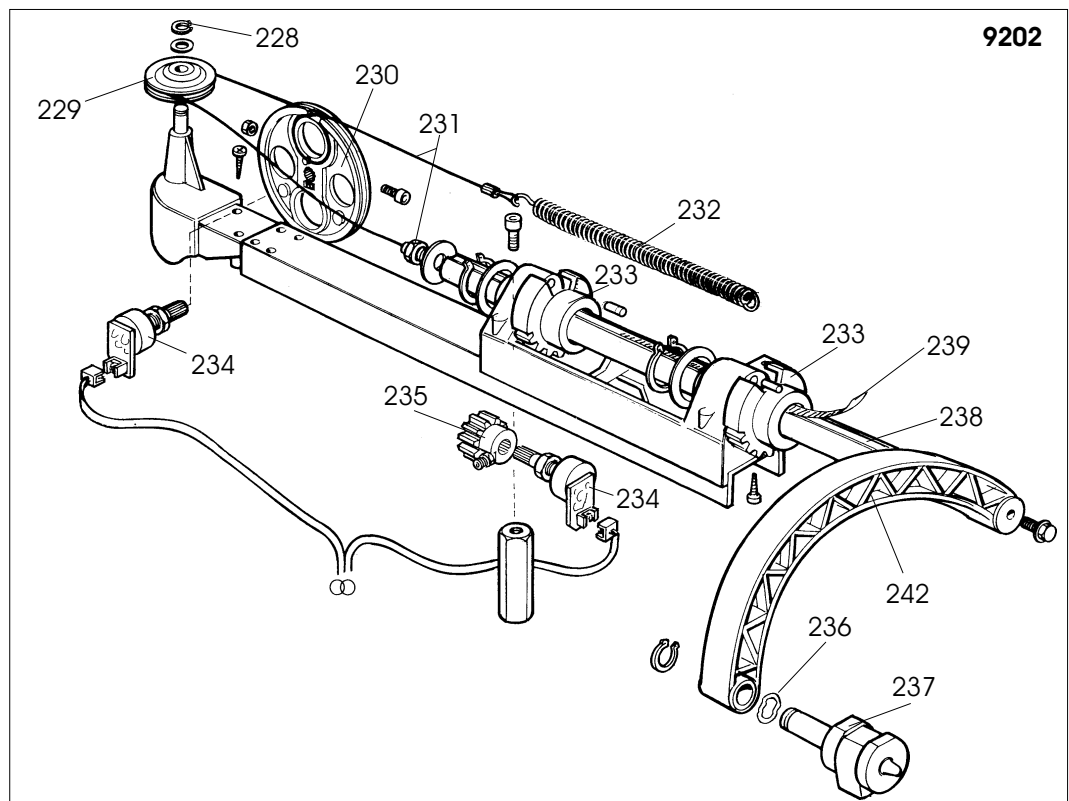
Codes

Codici



Codes

Kode-Nr



9202

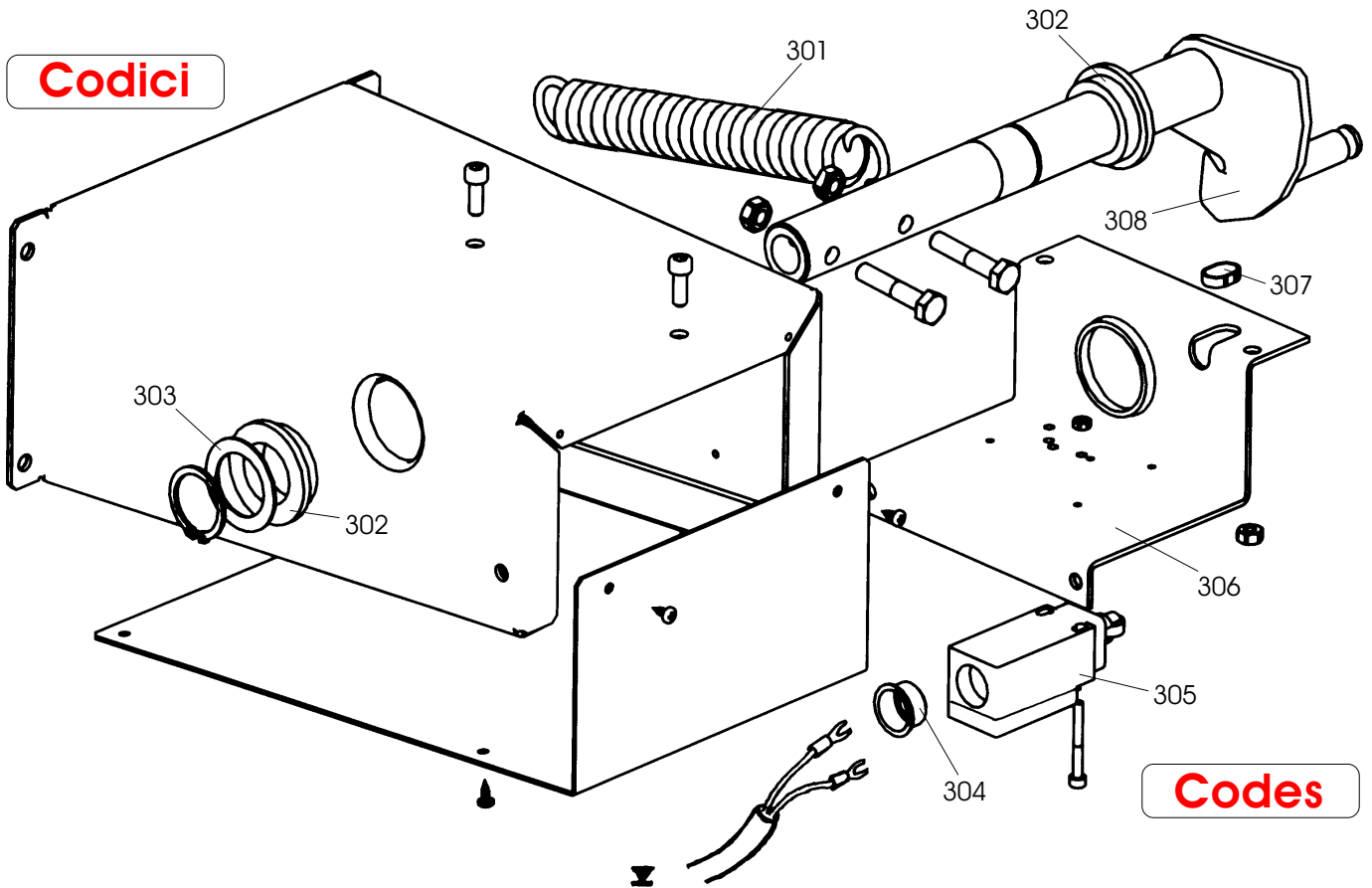
| | | | | | |
|------|-----------|----------|----------|----------|---------|
| 0114 | 900243591 | PICK-UP | PICK-UP | PICK-UP | PICK-UP |
| 0201 | 900222099 | MOZZO | HUB | NABE | MOYEU |
| 0202 | 900444239 | MOLLA | SPRING | FEDER | RESSORT |
| 0203 | 900222101 | VITE | SCREW | SCHRAUBE | VIS |
| 0204 | 900249280 | GRUPPO | ASSEMBLY | GRUPPE | GROUPE |
| 0205 | 900349284 | SUPPORTO | SUPPORT | LAGER | SUPPORT |
| 0206 | 900600243 | SFERA | BALL | KUGEL | BILLE |
| 0207 | 900424993 | MOLLA | SPRING | FEDER | RESSORT |
| 0208 | 900449310 | DISCO | DISK | SCHEIBE | DISQUE |
| 0211 | 900203841 | PINZA | PLIERS | ZANGE | PINCE |
| 0212 | 900430573 | PESO | WEIGHT | GEWICHT | POIDS |

| 9203 | 900254049 | DISP. DI LANCIO | SPINNING ASS. | MASCHINENWELLE | DISPOSITIF DE LANC. |
|-------------|------------------|------------------------|----------------------|-----------------------|----------------------------|
| 0109 | 900249314 | CAVO | CABLE | KABEL | CABLE |
| 0127 | 900453434 | MICROINTERRUTT. | MICROSWITCH | MIKROSCHALTER | MICROINTERRUPT. |
| 0213 | 900417759 | GUARNIZIONE | SEAL | DICHTUNG | JOINT |
| 0216 | 900349358 | SUPPORTO | SUPPORT | LAGER | SUPPORT |
| 0217 | 900349354 | SUPPORTO | SUPPORT | LAGER | SUPPORT |
| 0218 | 900349355 | PERNO | PIN | ZAPFEN | PIVOT |
| 0221 | 900249670 | ELETTROMAGNETE | ELECTROMAGNETE | ELEKTROMAGNET | ELECTRO-AIMANT |
| 0222 | 900349638 | LAMIERA | METAL SHEET | BLECH | TOLE |
| 0226 | 900250171 | ELETTROMAGNETE | ELECTROMAGNETE | ELEKTROMAGNET | ELECTRO-AIMANT |
| 0240 | 900451833 | MOLLA | SPRING | FEDER | RESSORT |
| 0241 | 900450995 | MOTORE | MOTOR | MOTOR | MOTEUR |
| 0243 | 900453430 | PIGNONE | PINION | RITZEL | PIGNON |
| 0245 | 900454327 | MOLLA | SPRING | FEDER | RESSORT |
| 0246 | 900254040 | PATTINO | PAD | GLEITSTCHUH | PATIN |

| 9202 | 900249287 | GRUP. RILEVATORE | SIGNAL TR. ASS. | AUFNEHMER GRUPPE | GROUPE MESUREUR |
|-------------|------------------|-------------------------|------------------------|-------------------------|------------------------|
| 0228 | 900449334 | ANELLO | RING | RING | ANNEAU |
| 0229 | 900449323 | CARRUCOLA | PULLEY | SEILROLLE | POULIE |
| 0230 | 900449324 | PULEGGIA | PULLEY | RIEMENSCHLEIBE | POULIE |
| 0231 | 900449333 | FUNE | CABLE | SEIL | CABLE |
| 0232 | 900449329 | MOLLA | SPRING | FEDER | RESSORT |
| 0233 | 900449321 | BOCCOLA | BUSHING | LAGER | DOUILLE |
| 0234 | 900248387 | POTENZIOMETRO | POTENTIOMETER | POTENTIOMETER | POTENTIOMETRE |
| 0235 | 900449326 | PIGNONE | PINION | RITZEL | PIGNON |
| 0236 | 900450073 | ANELLO | RING | RING | ANNEAU |
| 0237 | 900249339 | TERMINALE | TERMINAL | ENDVERSCHLUSS | COSSE |
| 0238 | 900349325 | ASTA | SHAFT | STANGE | BARRE |
| 0239 | 900449370 | TARGHETTA | DATA PLATE | TYPENSCHILD | PLAQUETTE |
| 0242 | 900449322 | BRACCIO | ARM | ARM | BRAS |

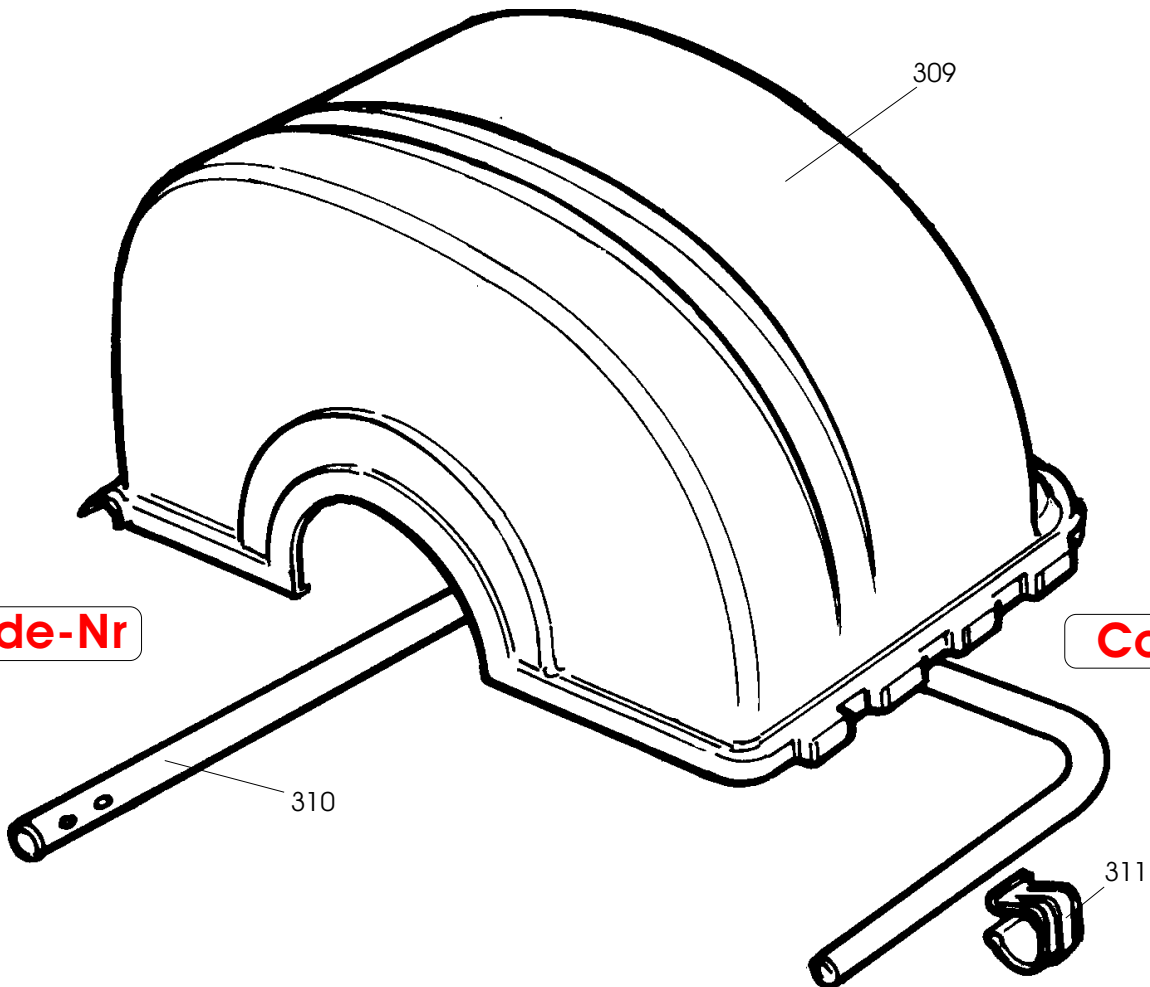
| | | | | | |
|------|-----------|---------|----------|--------|---------|
| 0244 | 900254043 | GRUPPO | ASSEMBLY | GRUPPE | GROUPE |
| 0247 | 900453144 | CALIBRO | CALIPER | LEHRE | CALIBRE |

Codici



Codes

Kode-Nr



Codes

| | | | | | |
|------|-----------|--------------|-------------|-----------------|-------------------|
| 0301 | 900449270 | MOLLA | SPRING | FEDER | RESSORT |
| 0302 | 900433637 | BOCCOLA | BUSHING | LAGER | DOUILLE |
| 0303 | 900436721 | RONDELLA | WASHER | UNTERLEGSCHIEBE | RONDELLE |
| 0304 | 900431972 | TAPPO | PLUG | STOPFEN | BOUCHON |
| 0305 | 900441494 | MICROINTERR. | MICROSWITCH | MIKROSCHALTER | MICROINTERRUPTEUR |
| 0306 | 900338723 | SUPPORTO | SUPPORT | LAGER | SUPPORT |
| 0307 | 900413163 | TASSELLO | BLOCK | EINSATZSTUECK | TAMPON |
| 0308 | 900249267 | FERMO | RETAINER | ANSCHLAG | ARRET |
| 0309 | 900449271 | PROTEZIONE | SHIELD | ABDECKUNG | PROTECTION |
| 0310 | 900349272 | TUBO | PIPE | ROHR | TUYAU |
| 0311 | 900449273 | MOLLA | SPRING | FEDER | RESSORT |

Il disegno è realizzato con tutti i particolari ma solo quelli codificati sono forniti come ricambi. L'Azienda si riserva la facoltà di apportare modifiche senza preavviso.



S.S. 468 n°9 - 42015 Correggio (RE) ITALY
Tel. 0522/639.111 - Telefax 0522/639.150

The drawing shows all parts but only the coded parts are supplied as spares. The Company reserves the right to make modifications without prior notice.